



***SWIFT***

# ***SWIFT GROUP TECHNICAL HANDBOOK***

*COACH BUILT MOTORHOMES*

Issued September 2022

Part No. 1446830

## Select Compact

Select Compact Specifications .....	4
Select Compact Capacities & Towing Capabilities .....	8
Select Compact Jacking .....	9

## Edge

Edge Specifications .....	10
Edge Capacities .....	15
Edge Towing Capabilities .....	16
Edge Jacking .....	17

## Voyager

Voyager Specifications .....	18
Voyager Capacities .....	21
Voyager Towing Capabilities .....	22
Voyager Jacking .....	23

## Escape

Escape Specifications .....	24
Escape Capacities .....	29
Escape Towing Capabilities .....	30
Escape Jacking .....	31
Dealer Special Editions based on Escape .....	58

## Kon-Tiki

Kon-Tiki Specifications .....	34
Kon-Tiki Capacities .....	41
Kon-Tiki Towing Capabilities .....	42
Kon-Tiki Jacking .....	43
Dealer Special Editions based on Kon-Tiki .....	68

<b>Wiring Diagrams</b> .....	44
------------------------------	----

<b>Bulb Replacement</b> .....	56
-------------------------------	----

## Bed Make Up

Edge bed make up .....	72
Select Compact bed make up .....	75
Voyager, Escape and Kon-Tiki bed make up .....	76

# Select Compact Specifications

Model	Select Compact C205		
Roof Profile	Low Line		
Engine	120 MJT	140 MJT	140 MJT Auto
Engine Capacity	2.2ltr		
Max Power	120 HP @ 3500rpm	140 HP @ 3500rpm	140 HP @ 3500rpm
Torque	320 Nm @ 1400rpm	350 Nm @ 1400rpm	380 Nm @ 1400rpm
Chassis	MLWB Fiat Chassis		
Wheel base	3.80m / 12'6"		
Designated Passenger Seats (excluding Driver)	3		
Berths (sleeping positions)	2		
Overall Length (no ladder)	5.99m / 19'8"		
Overall Width (mirrors folded)	2.26m / 7'5"		
Overall Height	2.78m / 9'1"		
Maximum Technical Permissible Laden Mass (A)	3300kg		
Mass in Running Order (B)	2705kg	2705kg	2738kg
Maximum User Payload (A-B)	595kg	595kg	562kg
Unladen Weight	2562kg	2562kg	2595kg
Essential Habitation Equipment	0kg		
Thermal Insulation Grade	THREE		
<b>Bed Sizes</b>			
Rear Double	194cm x 131cm / 6'4" x 4'4"		
Rear Nearside Single			
Rear Offside Single			
Drop Down Bed			

**NOTE: 1. The Maximum User Payload** includes:

- the **conventional load** (this is the allowance for passengers)
- essential habitation equipment** (items and fluids required for safe and proper functioning of habitation equipment)
- optional equipment** (items available from the manufacturer over and above the standard specification)
- personal effects** (those items not covered by the above)

- The **Mass in Running Order** is the mass of the unladen vehicle including a 75kg allowance for the driver plus engine coolants and 90% of the fuel tank and 1 x 6kg Calor Lite cylinder.
- The MRO is calculated with the fresh water tank empty. If you travel with water in the fresh water tank then the payload will reduce accordingly.
- PLEASE TAKE CARE TO ENSURE THAT YOU HAVE ALLOWED FOR THE MASSES OF ALL ITEMS YOU INTEND TO CARRY IN THE MOTOR CARAVAN, e.g. passengers, optional equipment, essential habitation equipment and personal effects, such as clothing, food, pets, bicycles, sailboards, s equipment etc.

**5. WARNING - UNDER NO CIRCUMSTANCES SHOULD THE MAXIMUM TECHNICAL PERMISSIBLE LADEN MASS OF THIS MOTOR CARAVAN BE EXCEEDED.**

Est = Estimated

# Select Compact Specifications

Model	Select Compact C404		
Roof Profile	Low Line		
Engine	120 MJT	140 MJT	140 MJT Auto
Engine Capacity	2.2ltr		
Max Power	120 HP @ 3500rpm	140 HP @ 3500rpm	140 HP @ 3500rpm
Torque	320 Nm @ 1400rpm	350 Nm @ 1400rpm	380 Nm @ 1400rpm
Chassis	MLWB Fiat Chassis		
Wheel base	3.80m / 12'6"		
Designated Passenger Seats (excluding Driver)	3		
Berths (sleeping positions)	4		
Overall Length (no ladder)	5.99m / 19'8"		
Overall Width (mirrors folded)	2.26m / 7'5"		
Overall Height	2.78m / 9'1"		
Maximum Technical Permissible Laden Mass (A)	3300kg		
Mass in Running Order (B)	2775kg	2775kg	2808kg
Maximum User Payload (A-B)	525kg	525kg	492kg
Unladen Weight	2632kg	2632kg	2665kg
Essential Habitation Equipment	0kg		
Thermal Insulation Grade	THREE		
<b>Bed Sizes</b>			
Rear Double	193cm x 120cm / 6'4" x 3'11"		
Rear Nearside Single			
Rear Offside Single			
Drop Down Bed	183cm x 118cm / 6'1" x 3'10"		

**NOTE: 1. The Maximum User Payload** includes:

- conventional load** (this is the allowance for passengers)
- essential habitation equipment** (items and fluids required for safe and proper functioning of habitation equipment)
- optional equipment** (items available from the manufacturer over and above the standard specification)
- personal effects** (those items not covered by the above)

2. The **Mass in Running Order** is the mass of the unladen vehicle including a 75kg allowance for the driver plus engine coolants and 90% of the fuel tank and 1 x 6kg Calor Lite cylinder.

3. The MRO is calculated with the fresh water tank empty. If you travel with water in the fresh water tank then the payload will reduce accordingly.

4. PLEASE TAKE CARE TO ENSURE THAT YOU HAVE ALLOWED FOR THE MASSES OF ALL ITEMS YOU INTEND TO CARRY IN THE MOTOR CARAVAN, e.g. passengers, optional equipment, essential habitation equipment and personal effects, such as clothing, food, pets, bicycles, sailboards, s equipment etc.

5. **WARNING** - UNDER NO CIRCUMSTANCES SHOULD THE MAXIMUM TECHNICAL PERMISSIBLE LADEN MASS OF THIS MOTOR CARAVAN BE EXCEEDED.

Est = Estimated

# Select Compact Specifications

Model	Select Compact C500		
Roof Profile	Low Line		
Engine	120 MJT	140 MJT	140 MJT Auto
Engine Capacity	2.2ltr		
Max Power	120 HP @ 3500rpm	140 HP @ 3500rpm	140 HP @ 3500rpm
Torque	320 Nm @ 1400rpm	350 Nm @ 1400rpm	380 Nm @ 1400rpm
Chassis	MLWB Fiat Chassis		
Wheel base	3.80m / 12'6"		
Designated Passenger Seats (excluding Driver)	3		
Berths (sleeping positions)	2		
Overall Length (no ladder)	6.65m / 21'10"		
Overall Width (mirrors folded)	2.26m / 7'5"		
Overall Height	2.78m / 9'1"		
Maximum Technical Permissible Laden Mass (A)	3300kg		
Mass in Running Order (B)	2797kg	2797kg	2830kg
Maximum User Payload (A-B)	503kg	503kg	470kg
Unladen Weight	2654kg	2654kg	2687kg
Essential Habitation Equipment	0kg		
Thermal Insulation Grade	THREE		
Bed Sizes			
Rear Double	192cm x 183cm / 6'4" x 6'0"		
Rear Nearside Single	196cm x 68cm / 6'5" x 2'3"		
Rear Offside Single	183cm x 68cm / 6'0" x 2'3"		
Drop Down Bed			

**NOTE: 1. The Maximum User Payload** includes:

- the **conventional load** (this is the allowance for passengers)
- essential habitation equipment** (items and fluids required for safe and proper functioning of habitation equipment)
- optional equipment** (items available from the manufacturer over and above the standard specification)
- personal effects** (those items not covered by the above)

2. The **Mass in Running Order** is the mass of the unladen vehicle including a 75kg allowance for the driver plus engine coolants and 90% of the fuel tank and 1 x 6kg Calor Lite cylinder.

- The MRO is calculated with the fresh water tank empty. If you travel with water in the fresh water tank then the payload will reduce accordingly.
- PLEASE TAKE CARE TO ENSURE THAT YOU HAVE ALLOWED FOR THE MASSES OF ALL ITEMS YOU INTEND TO CARRY IN THE MOTOR CARAVAN, e.g. passengers, optional equipment, essential habitation equipment and personal effects, such as clothing, food, pets, bicycles, sailboards, s equipment etc.

5. **WARNING - UNDER NO CIRCUMSTANCES SHOULD THE MAXIMUM TECHNICAL PERMISSIBLE LADEN MASS OF THIS MOTOR CARAVAN BE EXCEEDED.**

Est = Estimated

# Select Compact Specifications

Model	Select Compact C502		
Roof Profile	Low Line		
Engine	120 MJT	140 MJT	140 MJT Auto
Engine Capacity	2.2ltr		
Max Power	120 HP @ 3500rpm	140 HP @ 3500rpm	140 HP @ 3500rpm
Torque	320 Nm @ 1400rpm	350 Nm @ 1400rpm	380 Nm @ 1400rpm
Chassis	MLWB Fiat Chassis		
Wheel base	3.80m / 12'6"		
Designated Passenger Seats (excluding Driver)	3		
Berths (sleeping positions)	2		
Overall Length (no ladder)	6.65m / 21'10"		
Overall Width (mirrors folded)	2.26m / 7'5"		
Overall Height	2.78m / 9'1"		
Maximum Technical Permissible Laden Mass (A)	3300kg		
Mass in Running Order (B)	2797kg	2797kg	2830kg
Maximum User Payload (A-B)	503kg	503kg	470kg
Unladen Weight	2654kg	2654kg	2687kg
Essential Habitation Equipment	0kg		
Thermal Insulation Grade	THREE		
<b>Bed Sizes</b>			
Rear Double			
Rear Nearside Single	196cm x 74cm / 6'5" x 2'4"		
Rear Offside Single	184cm x 74cm / 6'0" x 2'4"		
Drop Down Bed			

**NOTE: 1. The Maximum User Payload** includes:

- conventional load** (this is the allowance for passengers)
- essential habitation equipment** (items and fluids required for safe and proper functioning of habitation equipment)
- optional equipment** (items available from the manufacturer over and above the standard specification)
- personal effects** (those items not covered by the above)

- The **Mass in Running Order** is the mass of the unladen vehicle including a 75kg allowance for the driver plus engine coolants and 90% of the fuel tank and 1 x 6kg Calor Lite cylinder.
- The MRO is calculated with the fresh water tank empty. If you travel with water in the fresh water tank then the payload will reduce accordingly.
- PLEASE TAKE CARE TO ENSURE THAT YOU HAVE ALLOWED FOR THE MASSES OF ALL ITEMS YOU INTEND TO CARRY IN THE MOTOR CARAVAN, e.g. passengers, optional equipment, essential habitation equipment and personal effects, such as clothing, food, pets, bicycles, sailboards, s equipment etc.

**5. WARNING** - UNDER NO CIRCUMSTANCES SHOULD THE MAXIMUM TECHNICAL PERMISSIBLE LADEN MASS OF THIS MOTOR CARAVAN BE EXCEEDED.

Est = Estimated

# Select Compact Capacities & Towing Capabilities

	Fresh Water Tank	Waste Water Tank	Water Heater
Select Compact	100 litre	50 litre	10 litre

	Capacity
Select Compact	2 x 6kg

**NOTICE: For technical data on the base vehicle please refer to the manufacturer's handbook**

## Select Compact Towing Capabilities

Model	MTPLM	Permissible Front Axle Load	Permissible Rear Axle Load	Recommended Maximum Trailer Weight	Gross Train Weight
Select Compact C205	3300kg	1750kg / 1840kg Auto	1900kg	2000kg	5800kg
Select Compact C404	3300kg	1750kg / 1840kg Auto	1900kg	2000kg	5800kg
Select Compact C500	3300kg	1750kg / 1840kg Auto	1900kg	2000kg	5800kg
Select Compact C502	3300kg	1750kg / 1840kg Auto	1900kg	2000kg	5800kg

Please note that the additional weight of the tow bar and trailer nose weight increases the rear axle loading of the motor home so care should be taken that the rear axle load is not exceeded when towing.

To ensure adequate road holding, the load on the front axle, under all conditions, must not be less than 40% or more than 70% of the total weight.

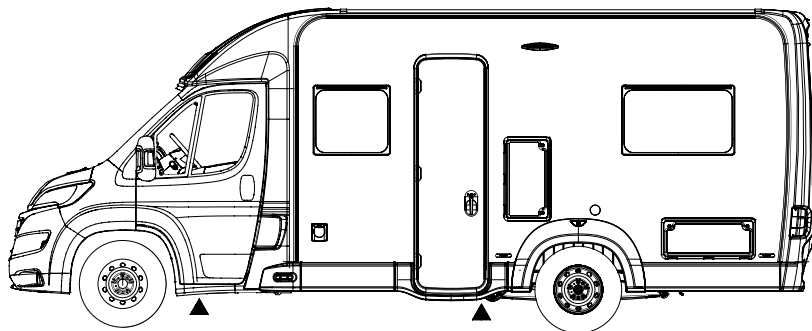
Care must be taken when distributing loads. The loadings and weights above are maximums and must not be exceeded under any circumstances.

\* With this vehicle configuration it will be necessary to reduce the payload carried inside the van when towing to ensure that the MTPLM and Maximum Axle Loads are not exceeded.

# The Maximum Trailer Weight is limited by the Gross Train Weight which must not be exceeded. For example if the vehicle is at its maximum MTPLM of 3650kg, then the Maximum Trailer Weight possible is 1850kg. Reducing the weight of the vehicle by removing payload, will allow you to increase the trailer weight up to a maximum of 2000kg.

**CAUTION: When fitting a towbar, it must meet certain minimum requirements as specified by Type Approval Regulations. The bar will have marked on it the approval standard (94/20/EC or 55R ECE) and the maximum download, or noseweight, that it can accept. It must fit the manufacturer's approved mounting points and must not obscure the towing vehicle's number plate.**

## Select Compact Jacking



Jacking Points for:

Select Compact C205, C404, C500 & C502



# Edge Specifications

Model	Edge 464			
Roof Profile	Low Line			
Engine	120 MJT / 140 MJT		140 MJT Auto	
Engine Capacity	2.2ltr			
Max Power	120 hp @ 3500 rpm / 140 HP @ 3500rpm		140 HP @ 3500rpm	
Torque	320 Nm @ 1400 rpm / 350 Nm @ 1400rpm		380 Nm @ 1400rpm	
Chassis	MLWB Fiat Chassis			
Wheel base	3.80m / 12'6"			
Designated Passenger Seats (excluding Driver)	3			
Berths (sleeping positions)	4			
Overall Length (no ladder)	6.75m / 22'2"			
Overall Width (mirrors folded)	2.39m / 7'10"			
Overall Height	2.91m / 9'6"			
Maximum Technical Permissible Laden Mass (A)	3500kg	3650kg	3500kg	3650kg
Mass in Running Order (B)	2850kg	2850kg	2883kg	2883kg
Maximum User Payload (A-B)	650kg	800kg	617kg	767kg
Unladen Weight	2720kg	2720kg	2753kg	2753kg
Essential Habitation Equipment	0kg			
Thermal Insulation Grade	THREE			
<b>Bed Sizes</b>				
Front Double	215cm x 123cm / 92cm / 7'1" x 4'0" / 3'0"			
Rear Double	188cm x 133cm / 6'2" x 4'4"			
Rear Nearside Single				
Rear Offside Single				
Rear Bunk (Upper)				
Rear Bunk (Lower)				
Overcab bed				

**NOTE: 1. The Maximum User Payload** includes:

- the **conventional load** (this is the allowance for passengers)
- essential habitation equipment** (items and fluids required for safe and proper functioning of habitation equipment)
- optional equipment** (items available from the manufacturer over and above the standard specification)
- personal effects** (those items not covered by the above)

2. The **Mass in Running Order** is the mass of the unladen vehicle including a 75kg allowance for the driver plus engine coolants and 90% of the fuel tank and 1 x 6kg Calor Lite cylinder.

- The MRO is calculated with the fresh water tank empty. If you travel with water in the fresh water tank then the payload will reduce accordingly.
- PLEASE TAKE CARE TO ENSURE THAT YOU HAVE ALLOWED FOR THE MASSES OF ALL ITEMS YOU INTEND TO CARRY IN THE MOTOR CARAVAN, e.g. passengers, optional equipment, essential habitation equipment and personal effects, such as clothing, food, pets, bicycles, sailboards, s equipment etc.

5. **WARNING** - UNDER NO CIRCUMSTANCES SHOULD THE MAXIMUM TECHNICAL PERMISSIBLE LADEN MASS OF THIS MOTOR CARAVAN BE EXCEEDED.

Est = Estimated

# Edge Specifications

Model	Edge 466	
Roof Profile	High Line	
Engine	120 MJT / 140 MJT	140 MJT Auto
Engine Capacity	2.2ltr	
Max Power	120 hp @ 3500 rpm / 140 HP @ 3500rpm	140 HP @ 3500rpm
Torque	320 Nm @ 1400 rpm / 350 Nm @ 1400rpm	380 Nm @ 1400rpm
Chassis	LWB Fiat Chassis	
Wheel base	4.04m / 13' 3"	
Designated Passenger Seats (excluding Driver)	5	
Berths (sleeping positions)	6	
Overall Length (no ladder)	7.32m / 24'0"	
Overall Width (mirrors folded)	2.39m / 7'10"	
Overall Height	2.98m / 9'9"	
Maximum Technical Permissible Laden Mass (A)	3650kg	
Mass in Running Order (B)	3016kg	3049kg
Maximum User Payload (A-B)	634kg	601kg
Unladen Weight	2886kg	2919kg
Essential Habitation Equipment	0kg	
Thermal Insulation Grade	THREE	
<b>Bed Sizes</b>		
Front Double	215cm x 180cm x 121cm / 7'1" x 5'11" x 4'0"	
Rear Double		
Rear Nearside Single		
Rear Offside Single		
Rear Bunk (Upper)	204cm x 85cm / 6'8" x 2'9"	
Rear Bunk (Lower)	204cm x 85cm / 6'8" x 2'9"	
Overcab bed	190cm x 134cm / 6'3" x 4'5"	

**NOTE: 1. The Maximum User Payload** includes:

- the **conventional load** (this is the allowance for passengers)
- essential habitation equipment** (items and fluids required for safe and proper functioning of habitation equipment)
- optional equipment** (items available from the manufacturer over and above the standard specification)
- personal effects** (those items not covered by the above)

2. The **Mass in Running Order** is the mass of the unladen vehicle including a 75kg allowance for the driver plus engine coolants and 90% of the fuel tank and 1 x 6kg Calor Lite cylinder.

3. The MRO is calculated with the fresh water tank empty. If you travel with water in the fresh water tank then the payload will reduce accordingly.

4. PLEASE TAKE CARE TO ENSURE THAT YOU HAVE ALLOWED FOR THE MASSES OF ALL ITEMS YOU INTEND TO CARRY IN THE MOTOR CARAVAN, e.g. passengers, optional equipment, essential habitation equipment and personal effects, such as clothing, food, pets, bicycles, sailboards, s equipment etc.

5. **WARNING** - UNDER NO CIRCUMSTANCES SHOULD THE MAXIMUM TECHNICAL PERMISSIBLE LADEN MASS OF THIS MOTOR CARAVAN BE EXCEEDED.

Est = Estimated

# Edge Specifications

Model	Edge 476		
Roof Profile	High Line		
Engine	120 MJT / 140 MJT		140 MJT Auto
Engine Capacity	2.2ltr		
Max Power	120 hp @ 3500 rpm / 140 HP @ 3500rpm		140 HP @ 3500rpm
Torque	320 Nm @ 1400 rpm / 350 Nm @ 1400rpm		380 Nm @ 1400rpm
Chassis	LWB Fiat Chassis		
Wheel base	4.04m / 13' 3"		
Designated Passenger Seats (excluding Driver)	5		
Berths (sleeping positions)	6		
Overall Length (no ladder)	7.32m / 24'0"		
Overall Width (mirrors folded)	2.39m / 7'10"		
Overall Height	2.98m / 9'9"		
Maximum Technical Permissible Laden Mass (A)	3500kg	3650kg	3650kg
Mass in Running Order (B)	2991kg	2991kg	3024kg
Maximum User Payload (A-B)	509kg	659kg	626kg
Unladen Weight	2861kg	2861kg	2894kg
Essential Habitation Equipment	0kg		
Thermal Insulation Grade	THREE		
Bed Sizes			
Front Double	215cm x 180cm / 86cm / 7'1" x 5'11" / 2'10"		
Rear Double	214cm x 143cm / 7'0" x 4'8"		
Rear Nearside Single	191cm x 83cm / 6'3" x 2'5"		
Rear Offside Single	191cm x 83cm / 6'3" x 2'5"		
Rear Bunk (Upper)			
Rear Bunk (Lower)			
Overcab bed	190cm x 134cm / 6'3" x 4'5"		

**NOTE: 1. The Maximum User Payload** includes:

- the **conventional load** (this is the allowance for passengers)
- essential habitation equipment** (items and fluids required for safe and proper functioning of habitation equipment)
- optional equipment** (items available from the manufacturer over and above the standard specification)
- personal effects** (those items not covered by the above)

- The **Mass in Running Order** is the mass of the unladen vehicle including a 75kg allowance for the driver plus engine coolants and 90% of the fuel tank and 1 x 6kg Calor Lite cylinder.
- The MRO is calculated with the fresh water tank empty. If you travel with water in the fresh water tank then the payload will reduce accordingly.
- PLEASE TAKE CARE TO ENSURE THAT YOU HAVE ALLOWED FOR THE MASSES OF ALL ITEMS YOU INTEND TO CARRY IN THE MOTOR CARAVAN, e.g. passengers, optional equipment, essential habitation equipment and personal effects, such as clothing, food, pets, bicycles, sailboards, s equipment etc.

**5. WARNING - UNDER NO CIRCUMSTANCES SHOULD THE MAXIMUM TECHNICAL PERMISSIBLE LADEN MASS OF THIS MOTOR CARAVAN BE EXCEEDED.**

Est = Estimated

# Edge Specifications

Model	Edge 486		
Roof Profile	High Line		
Engine	120 MJT / 140 MJT	140 MJT Auto	
Engine Capacity	2.2ltr		
Max Power	120 hp @ 3500 rpm / 140 HP @ 3500rpm	140 HP @ 3500rpm	
Torque	320 Nm @ 1400 rpm / 350 Nm @ 1400rpm	380 Nm @ 1400rpm	
Chassis	LWB Fiat Chassis		
Wheel base	4.04m / 13' 3"		
Designated Passenger Seats (excluding Driver)	5		
Berths (sleeping positions)	6		
Overall Length (no ladder)	7.32m / 24'0"		
Overall Width (mirrors folded)	2.39m / 7'10"		
Overall Height	2.98m / 9'9"		
Maximum Technical Permissible Laden Mass (A)	3500kg	3650kg	3650kg
Mass in Running Order (B)	2991kg	2991kg	3024kg
Maximum User Payload (A-B)	509kg	659kg	626kg
Unladen Weight	2861kg	2861kg	2894kg
Essential Habitation Equipment	0kg		
Thermal Insulation Grade	THREE		
<b>Bed Sizes</b>			
Front Double	215cm x 180cm / 121cm / 7'1" x 5'11" / 4'0"		
Rear Double	214cm x 131cm / 7'0" x 4'4"		
Rear Nearside Single			
Rear Offside Single			
Rear Bunk (Upper)			
Rear Bunk (Lower)			
Overcab bed	190cm x 134cm / 6'3" x 4'5"		

**NOTE: 1. The Maximum User Payload** includes:

- conventional load** (this is the allowance for passengers)
- essential habitation equipment** (items and fluids required for safe and proper functioning of habitation equipment)
- optional equipment** (items available from the manufacturer over and above the standard specification)
- personal effects** (those items not covered by the above)

2. The **Mass in Running Order** is the mass of the unladen vehicle including a 75kg allowance for the driver plus engine coolants and 90% of the fuel tank and 1 x 6kg Calor Lite cylinder.

- The MRO is calculated with the fresh water tank empty. If you travel with water in the fresh water tank then the payload will reduce accordingly.
- PLEASE TAKE CARE TO ENSURE THAT YOU HAVE ALLOWED FOR THE MASSES OF ALL ITEMS YOU INTEND TO CARRY IN THE MOTOR CARAVAN, e.g. passengers, optional equipment, essential habitation equipment and personal effects, such as clothing, food, pets, bicycles, sailboards, s equipment etc.**

5. **WARNING** - UNDER NO CIRCUMSTANCES SHOULD THE MAXIMUM TECHNICAL PERMISSIBLE LADEN MASS OF THIS MOTOR CARAVAN BE EXCEEDED.

Est = Estimated

# Edge Specifications

Model	Edge 494			
Roof Profile	High Line			
Engine	120 MJT / 140 MJT		140 MJT Auto	
Engine Capacity	2.2ltr			
Max Power	120 hp @ 3500 rpm / 140 HP @ 3500rpm		140 HP @ 3500rpm	
Torque	320 Nm @ 1400 rpm / 350 Nm @ 1400rpm		380 Nm @ 1400rpm	
Chassis	LWB Fiat Chassis			
Wheel base	4.04m / 13'3"			
Designated Passenger Seats (excluding Driver)	3			
Berths (sleeping positions)	4			
Overall Length (no ladder)	7.32m / 24'0"			
Overall Width (mirrors folded)	2.39m / 7'10"			
Overall Height	2.98m / 9'9"			
Maximum Technical Permissible Laden Mass (A)	3500kg	3650kg	3500kg	3650kg
Mass in Running Order (B)	2975kg	2975kg	3008kg	3008kg
Maximum User Payload (A-B)	525kg	675kg	492kg	642kg
Unladen Weight	2845kg	2845kg	2878kg	2878kg
Essential Habitation Equipment	0kg			
Thermal Insulation Grade	THREE			
Bed Sizes				
Front Double				
Rear Double	185cm x 133cm / 6'1" x 4'4"			
Rear Nearside Single				
Rear Offside Single				
Rear Bunk (Upper)				
Rear Bunk (Lower)				
Overcab bed	190cm x 134cm / 6'3" x 4'5"			

**NOTE: 1. The Maximum User Payload** includes:

- the **conventional load** (this is the allowance for passengers)
- essential habitation equipment** (items and fluids required for safe and proper functioning of habitation equipment)
- optional equipment** (items available from the manufacturer over and above the standard specification)
- personal effects** (those items not covered by the above)

- The **Mass in Running Order** is the mass of the unladen vehicle including a 75kg allowance for the driver plus engine coolants and 90% of the fuel tank and 1 x 6kg Calor Lite cylinder.
- The MRO is calculated with the fresh water tank empty. If you travel with water in the fresh water tank then the payload will reduce accordingly.
- PLEASE TAKE CARE TO ENSURE THAT YOU HAVE ALLOWED FOR THE MASSES OF ALL ITEMS YOU INTEND TO CARRY IN THE MOTOR CARAVAN, e.g. passengers, optional equipment, essential habitation equipment and personal effects, such as clothing, food, pets, bicycles, sailboards, s equipment etc.

**5. WARNING - UNDER NO CIRCUMSTANCES SHOULD THE MAXIMUM TECHNICAL PERMISSIBLE LADEN MASS OF THIS MOTOR CARAVAN BE EXCEEDED.**

Est = Estimated

# Edge Capacities

## Water Tank Capacities

	<b>Fresh Water Tank</b>	<b>Waste Water Tank</b>	<b>Water Heater</b>
Edge	100 litre	68 litre	10 litre

## LPG Locker Capacity

	<b>Capacity</b>
Edge	1 x 6kg + 1 x 13kg

**NOTICE: For technical data on the base vehicle please refer to the manufacturer's handbook**

# Edge Towing Capabilities

## Edge Towing Capabilities

Model	MTPLM	Permissible Front Axle Load	Permissible Rear Axle Load	Recommended Maximum Trailer Weight	Gross Train Weight
EDGE 464	3500kg	1850kg / 1960kg Auto	2000kg	2000kg	5500kg
EDGE 464	3650kg	1850kg / 1960kg Auto	2000kg	2000kg	5650kg
EDGE 466	3500kg	1850kg / 1960kg Auto	2000kg	N/A	3500kg
EDGE 466	3650kg	1850kg / 1960kg Auto	2000kg	2000kg	5650kg
EDGE 476	3500kg	1850kg / 1960kg Auto	2000kg	N/A	3500kg
EDGE 476	3650kg	1850kg / 1960kg Auto	2000kg	2000kg	5650kg
EDGE 486	3500kg	1850kg / 1960kg Auto	2000kg	N/A	3500kg
EDGE 486	3650kg	1850kg / 1960kg Auto	2000kg	2000kg	5650kg
EDGE 494	3500kg	1850kg / 1960kg Auto	2000kg	2000kg	5500kg
EDGE 494	3650kg	1850kg / 1960kg Auto	2000kg	2000kg	5650kg

Please note that the additional weight of the tow bar and trailer nose weight increases the rear axle loading of the motor home so care should be taken that the rear axle load is not exceeded when towing.

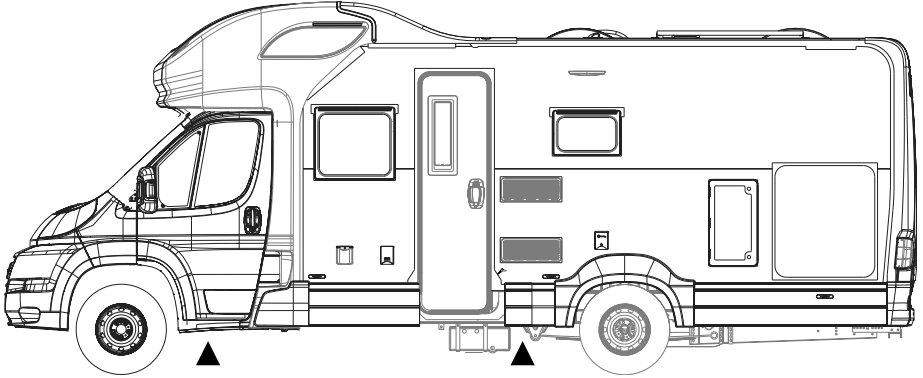
To ensure adequate road holding, the load on the front axle, under all conditions, must not be less than 40% or more than 70% of the total weight.

Care must be taken when distributing loads. The loadings and weights above are maximums and must not be exceeded under any circumstances.

**CAUTION:** When fitting a towbar, it must meet certain minimum requirements as specified by Type Approval Regulations. The bar will have marked on it the approval standard (94/20/EC or 55R ECE) and the maximum download, or noseweight, that it can accept. It must fit the manufacturer's approved mounting points and must not obscure the towing vehicle's number plate.

# Edge Jacking

## SWIFT EDGE



Jacking Points for: Edge 464, 466, 476, 486, & 494:



# Voyager Specifications

Model	Voyager 540			
Roof Profile	Low Line Pod			
Engine	155PS		155PS Auto	
Engine Capacity	2.0ltr			
Max Power	155PS @ 3500rpm		155PS @ 3500rpm	
Torque	390Nm @ 2500rpm			
Chassis	L4 Ford Transit			
Wheel base	3.95m / 13' 0"			
Designated Passenger Seats (excluding Driver)	3			
Berths (sleeping positions)	4			
Overall Length (no ladder)	7.01m / 23' 0"			
Overall Width (mirrors folded)	2.37m / 7' 9"			
Overall Height	2.86m / 9' 5" Est			
Maximum Technical Permissible Laden Mass (A)	3500kg	3550kg	3500kg	3550kg
Mass in Running Order (B)	3005kg Est	3005kg Est	3058kg Est	3058kg Est
Maximum User Payload (A-B)	495kg Est	545kg Est	442kg Est	492kg Est
Unladen Weight	2866kg Est	2866kg Est	2919kg Est	2919kg Est
Essential Habitation Equipment	0kg			
Thermal Insulation Grade	THREE			
Bed Sizes				
Front Double	194cm x 165 / 114cm / 6'4" x 5'10" / 3'9"			
Rear Double				
Rear Nearside Single				
Rear Offside Single				
Rear Bunk (Upper)				
Rear Bunk (Lower)				
Drop down bed	189cm x 150cm / 6'2" x 4'11"			

**NOTE: 1. The Maximum User Payload** includes:

- the **conventional load** (this is the allowance for passengers)
- essential habitation equipment** (items and fluids required for safe and proper functioning of habitation equipment)
- optional equipment** (items available from the manufacturer over and above the standard specification)
- personal effects** (those items not covered by the above)

2. The **Mass in Running Order** is the mass of the unladen vehicle including a 75kg allowance for the driver plus engine coolants and 90% of the fuel tank and 1 x 6kg Calor Lite cylinder.

3. The MRO is calculated with the fresh water tank empty. If you travel with water in the fresh water tank then the payload will reduce accordingly.

4. PLEASE TAKE CARE TO ENSURE THAT YOU HAVE ALLOWED FOR THE MASSES OF ALL ITEMS YOU INTEND TO CARRY IN THE MOTOR CARAVAN, e.g. passengers, optional equipment, essential habitation equipment and personal effects, such as clothing, food, pets, bicycles, sailboards, s equipment etc.

5. **WARNING - UNDER NO CIRCUMSTANCES SHOULD THE MAXIMUM TECHNICAL PERMISSIBLE LADEN MASS OF THIS MOTOR CARAVAN BE EXCEEDED.**

Est = Estimated

# Voyager Specifications

Model	Voyager 584			
Roof Profile	Low Line Pod			
Engine	155PS & 160PS		155PS & 160PS Auto	
Engine Capacity	2.0ltr			
Max Power	155PS @ 3500rpm	160PS @ 3500rpm	155PS @ 3500rpm	160PS @ 3500rpm
Torque	390Nm @ 2500rpm			
Chassis	L5 Ford Transit			
Wheel base	4.52m / 14' 10"			
Designated Passenger Seats (excluding Driver)	3			
Berths (sleeping positions)	4			
Overall Length (no ladder)	7.85m / 25' 9"			
Overall Width (mirrors folded)	2.37m / 7' 9"			
Overall Height	2.87m / 9' 5"			
Maximum Technical Permissible Laden Mass (A)	3500kg	3550kg	3500kg	3550kg
Mass in Running Order (B)	3076kg Est	3076kg Est	3129kg Est	3129kg Est
Maximum User Payload (A-B)	424kg Est	474kg Est	371kg Est	421kg Est
Unladen Weight	2937kg Est	2937kg Est	2990kg Est	2990kg Est
Essential Habitation Equipment	0kg			
Thermal Insulation Grade	THREE			
Bed Sizes				
Front Double	194cm x 132 / 105cm / 6'4" x 4'4" / 3'5"			
Rear Double	206cm x 115cm / 6'9" x 3'9"			
Rear Nearside Single	195cm x 78cm / 6'5" x 2'7"			
Rear Offside Single	195cm x 78cm / 6'5" x 2'7"			
Rear Bunk (Upper)				
Rear Bunk (Lower)				
Overcab bed				

**NOTE: 1. The Maximum User Payload** includes:

- the **conventional load** (this is the allowance for passengers)
- essential habitation equipment** (items and fluids required for safe and proper functioning of habitation equipment)
- optional equipment** (items available from the manufacturer over and above the standard specification)
- personal effects** (those items not covered by the above)

2. The **Mass in Running Order** is the mass of the unladen vehicle including a 75kg allowance for the driver plus engine coolants and 90% of the fuel tank and 1 x 6kg Calor Lite cylinder.

3. The MRO is calculated with the fresh water tank empty. If you travel with water in the fresh water tank then the payload will reduce accordingly.

4. PLEASE TAKE CARE TO ENSURE THAT YOU HAVE ALLOWED FOR THE MASSES OF ALL ITEMS YOU INTEND TO CARRY IN THE MOTOR CARAVAN, e.g. passengers, optional equipment, essential habitation equipment and personal effects, such as clothing, food, pets, bicycles, sailboards, s equipment etc.

5. **WARNING** - UNDER NO CIRCUMSTANCES SHOULD THE MAXIMUM TECHNICAL PERMISSIBLE LADEN MASS OF THIS MOTOR CARAVAN BE EXCEEDED.

Est = Estimated

# Voyager Specifications

Model	Voyager 594			
Roof Profile	Low Line Pod			
Engine	155PS & 160PS		155PS & 160PS Auto	
Engine Capacity	2.0ltr			
Max Power	155PS @ 3500rpm	160PS @ 3500rpm	155PS @ 3500rpm	160PS @ 3500rpm
Torque	390Nm @ 2500rpm			
Chassis	L5 Ford Heavy Duty Chassis			
Wheel base	4.52m / 14' 10"			
Designated Passenger Seats (excluding Driver)	3			
Berths (sleeping positions)	4			
Overall Length (no ladder)	7.85m / 25' 9"			
Overall Width (mirrors folded)	2.37m / 7' 9"			
Overall Height	2.87m / 9' 5" Est			
Maximum Technical Permissible Laden Mass (A)	3500kg	3550kg	3500kg	3550kg
Mass in Running Order (B)	3095kg Est	3095kg Est	3148kg Est	3148kg Est
Maximum User Payload (A-B)	405kg Est	455kg Est	352kg Est	402kg Est
Unladen Weight	2956kg Est	2956kg Est	3009kg Est	3009kg Est
Essential Habitation Equipment	0kg			
Thermal Insulation Grade	THREE			
Bed Sizes				
Front Double	194cm x 132 / 105cm / 6'4" x 4'4" / 3'5"			
Rear Double	183cm x 143cm / 6'0" x 4'8"			
Rear Nearside Single				
Rear Offside Single				
Rear Bunk (Upper)				
Rear Bunk (Lower)				
Overcab bed				

**NOTE: 1. The Maximum User Payload** includes:

- the **conventional load** (this is the allowance for passengers)
- essential habitation equipment** (items and fluids required for safe and proper functioning of habitation equipment)
- optional equipment** (items available from the manufacturer over and above the standard specification)
- personal effects** (those items not covered by the above)

2. The **Mass in Running Order** is the mass of the unladen vehicle including a 75kg allowance for the driver plus engine coolants and 90% of the fuel tank and 1 x 6kg Calor Lite cylinder.

- The MRO is calculated with the fresh water tank empty. If you travel with water in the fresh water tank then the payload will reduce accordingly.
- PLEASE TAKE CARE TO ENSURE THAT YOU HAVE ALLOWED FOR THE MASSES OF ALL ITEMS YOU INTEND TO CARRY IN THE MOTOR CARAVAN, e.g. passengers, optional equipment, essential habitation equipment and personal effects, such as clothing, food, pets, bicycles, sailboards, s equipment etc.

5. **WARNING - UNDER NO CIRCUMSTANCES SHOULD THE MAXIMUM TECHNICAL PERMISSIBLE LADEN MASS OF THIS MOTOR CARAVAN BE EXCEEDED.**

Est = Estimated

# Voyager Capacities

## Water Tank Capacities

	<b>Fresh Water Tank</b>	<b>Waste Water Tank</b>	<b>Water Heater</b>
Voyager	110 litre	85 litre	10 litre

## LPG Locker Capacity

	<b>Capacity</b>
Voyager	1 x 6kg + 1 x 13kg

**NOTICE: For technical data on the base vehicle please refer to the manufacturer's handbook**

# Voyager Towing Capabilities

## Voyager Towing Capabilities

Model	MTPLM	Permissible Front Axle Load	Permissible Rear Axle Load	Recommended Maximum Trailer Weight	Gross Train Weight
VOYAGER 540	3500kg	1850kg	2250kg	N/A	3500kg
VOYAGER 540	3550kg	1850kg	2250kg	N/A	3550kg
VOYAGER 584	3500kg	1850kg	2250kg	N/A	3500kg
VOYAGER 584	3550kg	1850kg	2250kg	N/A	3550kg
VOYAGER 594	3500kg	1850kg	2250kg	N/A	3500kg
VOYAGER 594	3550kg	1850kg	2250kg	N/A	3550kg

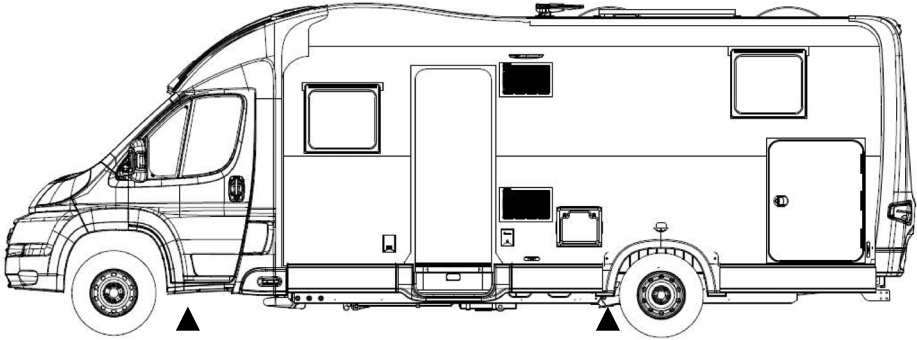
To ensure adequate road holding, the load on the front axle, under all conditions, must not be less than 40% or more than 70% of the total weight.

Care must be taken when distributing loads. The loadings and weights above are maximums and must not be exceeded under any circumstances.

**CAUTION: These Voyager vehicles are not suitable for towing.**

# Voyager Jacking

## SWIFT VOYAGER



Jacking Points for: Voyager 540,584 & 594:

# Escape Specifications

Model	Escape 640			
Roof Profile	Low Line Pod			
Engine	140 MJT	140 MJT Auto	160 MJT	160 / 180 MJT Auto
Engine Capacity	2.2ltr			
Max Power	140 Hp @ 3500 rpm		160hp @ 3500rpm 180hp @ 3500rpm	
Torque	350 Nm @ 1400rpm	380 Nm @ 1400rpm	380 Nm @ 1500rpm	160 - 400 Nm 180 - 450 Nm @ 1500rpm
Chassis	Fiat / AL-KO Chassis			
Wheel base	4.20m / 13' 9"			
Designated Passenger Seats (excluding Driver)	3			
Berths (sleeping positions)	4			
Overall Length (no ladder)	6.99m / 22'11"			
Overall Width (mirrors folded)	2.37m / 7'9"			
Overall Height	2.86m / 9'5"			
Maximum Technical Permissible Laden Mass (A)	3500kg			
Mass in Running Order (B)	3061kg	3094kg	3076kg	3094kg
Maximum User Payload (A-B)	439kg	406kg	424kg	406kg
Unladen Weight	2930kg	2963kg	2945kg	2963kg
Essential Habitation Equipment	0kg			
Thermal Insulation Grade	THREE			
<b>Bed Sizes</b>				
Front Double	194cm x 165cm / 136cm / 6'4" x 5'10" / 4'6"			
Rear Double				
Rear Nearside Single				
Rear Offside Single				
Drop Down Bed	189cm x 150cm / 6'2" x 4'11"			

**NOTE: 1. The Maximum User Payload** includes:

- the **conventional load** (this is the allowance for passengers)
- essential habitation equipment** (items and fluids required for safe and proper functioning of habitation equipment)
- optional equipment** (items available from the manufacturer over and above the standard specification)
- personal effects** (those items not covered by the above)

2. The **Mass in Running Order** is the mass of the unladen vehicle including a 75kg allowance for the driver plus engine coolants and 90% of the fuel tank and 1 x 6kg Calor Lite cylinder.

- The MRO is calculated with the fresh water tank empty. If you travel with water in the fresh water tank then the payload will reduce accordingly.
- PLEASE TAKE CARE TO ENSURE THAT YOU HAVE ALLOWED FOR THE MASSES OF ALL ITEMS YOU INTEND TO CARRY IN THE MOTOR CARAVAN, e.g. passengers, optional equipment, essential habitation equipment and personal effects, such as clothing, food, pets, bicycles, sailboards, s equipment etc.

5. **WARNING - UNDER NO CIRCUMSTANCES SHOULD THE MAXIMUM TECHNICAL PERMISSIBLE LADEN MASS OF THIS MOTOR CARAVAN BE EXCEEDED.**

Est = Estimated

# Escape Specifications

Model	Escape 664			
Roof Profile	Low Line Pod			
Engine	140 MJT	140 MJT Auto	160 MJT	160 / 180 MJT Auto
Engine Capacity	2.2ltr			
Max Power	140 Hp @ 3500 rpm		160hp @ 3500rpm 180hp @ 3500rpm	
Torque	350 Nm @ 1400rpm	380 Nm @ 1400rpm	380 Nm @ 1500rpm	160 - 400 Nm 180 - 450 Nm @ 1500rpm
Chassis	Fiat / AL-KO Chassis			
Wheel base	4.30m / 14' 1"			
Designated Passenger Seats (excluding Driver)	3			
Berths (sleeping positions)	4			
Overall Length (no ladder)	7.84m / 25'9"			
Overall Width (mirrors folded)	2.37m / 7'9"			
Overall Height	2.88m / 9'5"			
Maximum Technical Permissible Laden Mass (A)	3500kg			
Mass in Running Order (B)	3111kg	3144kg	3126kg	3144kg
Maximum User Payload (A-B)	389kg	356kg	374kg	356kg
Unladen Weight	2980kg	3013kg	2995kg	3013kg
Essential Habitation Equipment	0kg			
Thermal Insulation Grade	THREE			
<b>Bed Sizes</b>				
Front Double	194cm x 133cm / 106cm / 6'4" x 4'4" / 3'6"			
Rear Double	188cm x 129cm / 6'2" x 4'3"			
Rear Nearside Single				
Rear Offside Single				
Drop Down Bed				

**NOTE: 1. The Maximum User Payload** includes:

- conventional load** (this is the allowance for passengers)
- essential habitation equipment** (items and fluids required for safe and proper functioning of habitation equipment)
- optional equipment** (items available from the manufacturer over and above the standard specification)
- personal effects** (those items not covered by the above)

2. The **Mass in Running Order** is the mass of the unladen vehicle including a 75kg allowance for the driver plus engine coolants and 90% of the fuel tank and 1 x 6kg Calor Lite cylinder.

3. The MRO is calculated with the fresh water tank empty. If you travel with water in the fresh water tank then the payload will reduce accordingly.

4. PLEASE TAKE CARE TO ENSURE THAT YOU HAVE ALLOWED FOR THE MASSES OF ALL ITEMS YOU INTEND TO CARRY IN THE MOTOR CARAVAN, e.g. passengers, optional equipment, essential habitation equipment and personal effects, such as clothing, food, pets, bicycles, sailboards, s equipment etc.

5. **WARNING** - UNDER NO CIRCUMSTANCES SHOULD THE MAXIMUM TECHNICAL PERMISSIBLE LADEN MASS OF THIS MOTOR CARAVAN BE EXCEEDED.

Est = Estimated



# Escape Specifications

Model	Escape 674			
Roof Profile	Low Line Pod			
Engine	140 MJT	140 MJT Auto	160 MJT	160 / 180 MJT Auto
Engine Capacity	2.2ltr			
Max Power	140 Hp @ 3500 rpm		160hp @ 3500rpm 180hp @ 3500rpm	
Torque	350 Nm @ 1400rpm	380 Nm @ 1400rpm	380 Nm @ 1500rpm	160 - 400 Nm 180 - 450 Nm @ 1500rpm
Chassis	Fiat / AL-KO Chassis			
Wheel base	4.70m / 15'5"			
Designated Passenger Seats (excluding Driver)	4			
Berths (sleeping positions)	6			
Overall Length (no ladder)	8.22m / 27'0"			
Overall Width (mirrors folded)	2.37m / 7'9"			
Overall Height	2.86m / 9'5"			
Maximum Technical Permissible Laden Mass (A)	4500kg			
Mass in Running Order (B)	3360kg	3393kg	3375kg	3393kg
Maximum User Payload (A-B)	1140kg	1107kg	1125kg	1107kg
Unladen Weight	3127kg	3250kg	3232kg	3250kg
Essential Habitation Equipment	0kg			
Thermal Insulation Grade	THREE			
<b>Bed Sizes</b>				
Front Double	194cm x 136cm / 6'4" x 4'6"			
Rear Double	202cm x 132cm / 6'8" x 4'4"			
Rear Nearside Single				
Rear Offside Single				
Drop Down Bed	189cm x 150cm / 6'2" x 4'11"			

**NOTE: 1. The Maximum User Payload** includes:

- the **conventional load** (this is the allowance for passengers)
- essential habitation equipment** (items and fluids required for safe and proper functioning of habitation equipment)
- optional equipment** (items available from the manufacturer over and above the standard specification)
- personal effects** (those items not covered by the above)

- The **Mass in Running Order** is the mass of the unladen vehicle including a 75kg allowance for the driver plus engine coolants and 90% of the fuel tank and 1 x 6kg Calor Lite cylinder.
- The MRO is calculated with the fresh water tank empty. If you travel with water in the fresh water tank then the payload will reduce accordingly.
- PLEASE TAKE CARE TO ENSURE THAT YOU HAVE ALLOWED FOR THE MASSES OF ALL ITEMS YOU INTEND TO CARRY IN THE MOTOR CARAVAN, e.g. passengers, optional equipment, essential habitation equipment and personal effects, such as clothing, food, pets, bicycles, sailboards, s equipment etc.

**5. WARNING - UNDER NO CIRCUMSTANCES SHOULD THE MAXIMUM TECHNICAL PERMISSIBLE LADEN MASS OF THIS MOTOR CARAVAN BE EXCEEDED.**

Est = Estimated

# Escape Specifications

Model	Escape 684			
Roof Profile	Low Line Pod			
Engine	140 MJT	140 MJT Auto	160 MJT	160 / 180 MJT Auto
Engine Capacity	2.2ltr			
Max Power	140 Hp @ 3500 rpm		160hp @ 3500rpm 180hp @ 3500rpm	
Torque	350 Nm @ 1400rpm	380 Nm @ 1400rpm	380 Nm @ 1500rpm	160 - 400 Nm 180 - 450 Nm @ 1500rpm
Chassis	Fiat / AL-KO Chassis			
Wheel base	4.70m / 15'5"			
Designated Passenger Seats (excluding Driver)	3			
Berths (sleeping positions)	4			
Overall Length (no ladder)	7.84m / 25'9"			
Overall Width (mirrors folded)	2.37m / 7'9"			
Overall Height	2.88m / 9'5" Est			
Maximum Technical Permissible Laden Mass (A)	3500kg	3500kg	3500kg	3500kg
Mass in Running Order (B)	3131kg	3151kg	3146kg	3151kg
Maximum User Payload (A-B)	369kg	349kg	354kg	349kg
Unladen Weight	3000kg	3020kg	3015kg	3020kg
Essential Habitation Equipment	0kg			
Thermal Insulation Grade	THREE			
<b>Bed Sizes</b>				
Front Double	194cm x 133cm / 106cm / 6'4" x 4'4" / 3'6"			
Rear Double	206cm x 115cm / 6'9" x 3'9"			
Rear Nearside Single	195cm x 78cm / 6'5" x 2'7"			
Rear Offside Single	195cm x 78cm / 6'5" x 2'7"			
Drop Down Bed				

**NOTE: 1. The Maximum User Payload** includes:

- conventional load** (this is the allowance for passengers)
- essential habitation equipment** (items and fluids required for safe and proper functioning of habitation equipment)
- optional equipment** (items available from the manufacturer over and above the standard specification)
- personal effects** (those items not covered by the above)

2. The **Mass in Running Order** is the mass of the unladen vehicle including a 75kg allowance for the driver plus engine coolants and 90% of the fuel tank and 1 x 6kg Calor Lite cylinder.

3. The MRO is calculated with the fresh water tank empty. If you travel with water in the fresh water tank then the payload will reduce accordingly.

4. PLEASE TAKE CARE TO ENSURE THAT YOU HAVE ALLOWED FOR THE MASSES OF ALL ITEMS YOU INTEND TO CARRY IN THE MOTOR CARAVAN, e.g. passengers, optional equipment, essential habitation equipment and personal effects, such as clothing, food, pets, bicycles, sailboards, s equipment etc.

5. **WARNING** - UNDER NO CIRCUMSTANCES SHOULD THE MAXIMUM TECHNICAL PERMISSIBLE LADEN MASS OF THIS MOTOR CARAVAN BE EXCEEDED.

Est = Estimated

# Escape Specifications

Model	Escape 694			
Roof Profile	Low Line Pod			
Engine	140 MJT	140 MJT Auto	160 MJT	160 / 180 MJT Auto
Engine Capacity	2.2ltr			
Max Power	140 Hp @ 3500 rpm		160hp @ 3500rpm 180hp @ 3500rpm	
Torque	350 Nm @ 1400rpm	380 Nm @ 1400rpm	380 Nm @ 1500rpm	160 - 400 Nm 180 - 450 Nm @ 1500rpm
Chassis	Fiat / AL-KO Chassis			
Wheel base	4.70m / 15'5"			
Designated Passenger Seats (excluding Driver)	3			
Berths (sleeping positions)	4			
Overall Length (no ladder)	7.84m / 25'9"			
Overall Width (mirrors folded)	2.37m / 7'9"			
Overall Height	2.88m / 9'5"			
Maximum Technical Permissible Laden Mass (A)	3500kg	3700kg	3500kg	3700kg
Mass in Running Order (B)	3141kg	3174kg	3156kg	3174kg
Maximum User Payload (A-B)	359kg	526kg	344kg	526kg
Unladen Weight	3010kg	3043kg	3025kg	3043kg
Essential Habitation Equipment	0kg			
Thermal Insulation Grade	THREE			
<b>Bed Sizes</b>				
Front Double	194cm x 133cm / 106cm / 6'4" x 4'4" / 3'6"			
Rear Double	180cm x 143cm / 5'11" x 4'8"			
Rear Nearside Single				
Rear Offside Single				
Drop Down Bed				

**NOTE: 1. The Maximum User Payload** includes:

- the **conventional load** (this is the allowance for passengers)
- essential habitation equipment** (items and fluids required for safe and proper functioning of habitation equipment)
- optional equipment** (items available from the manufacturer over and above the standard specification)
- personal effects** (those items not covered by the above)

2. The **Mass in Running Order** is the mass of the unladen vehicle including a 75kg allowance for the driver plus engine coolants and 90% of the fuel tank and 1 x 6kg Calor Lite cylinder.

- The MRO is calculated with the fresh water tank empty. If you travel with water in the fresh water tank then the payload will reduce accordingly.
- PLEASE TAKE CARE TO ENSURE THAT YOU HAVE ALLOWED FOR THE MASSES OF ALL ITEMS YOU INTEND TO CARRY IN THE MOTOR CARAVAN, e.g. passengers, optional equipment, essential habitation equipment and personal effects, such as clothing, food, pets, bicycles, sailboards, s equipment etc.

5. **WARNING - UNDER NO CIRCUMSTANCES SHOULD THE MAXIMUM TECHNICAL PERMISSIBLE LADEN MASS OF THIS MOTOR CARAVAN BE EXCEEDED.**

Est = Estimated

# Escape Capacities

## Water Tank Capacities

	<b>Fresh Water Tank</b>	<b>Waste Water Tank</b>	<b>Water Heater</b>
Escape	90 litre	68 litre	10 litre

## LPG Locker Capacity

	<b>Capacity</b>
Escape	1 x 6kg + 1 x 13kg

**NOTICE: For technical data on the base vehicle please refer to the manufacturer's handbook**

# Select Compact & Escape Towing Capabilities

## Escape Towing Capabilities

Model	MTPLM	Permissible Front Axle Load	Permissible Rear Axle Load	Recommended Maximum Trailer Weight	Gross Train Weight
Escape 640	3500kg	1850kg / 1960kg Auto	2000kg	2000kg	5500kg
Escape 640	3700kg	1850kg / 1960kg Auto	2000kg	2000kg#	5500kg
Escape 664	3500kg	1850kg / 1960kg Auto	2000kg	2000kg	5500kg
Escape 664	3700kg	1850kg / 1960kg Auto	2000kg	2000kg#	5500kg#
Escape 674	4500kg	2100kg	2500kg	2000kg#	6000kg#
Escape 684	3500kg	1850kg / 1960kg Auto	2000kg	2000kg	5500kg
Escape 684	3700kg	1850kg / 1960kg Auto	2000kg	2000kg#	5500kg#
Escape 694	3500kg	1850kg / 1960kg Auto	2000kg	2000kg	5500kg
Escape 694	3700kg	1850kg / 1960kg Auto	2000kg	2000kg#	5500kg#

Please note that the additional weight of the tow bar and trailer nose weight increases the rear axle loading of the motor home so care should be taken that the rear axle load is not exceeded when towing.

To ensure adequate road holding, the load on the front axle, under all conditions, must not be less than 40% or more than 70% of the total weight.

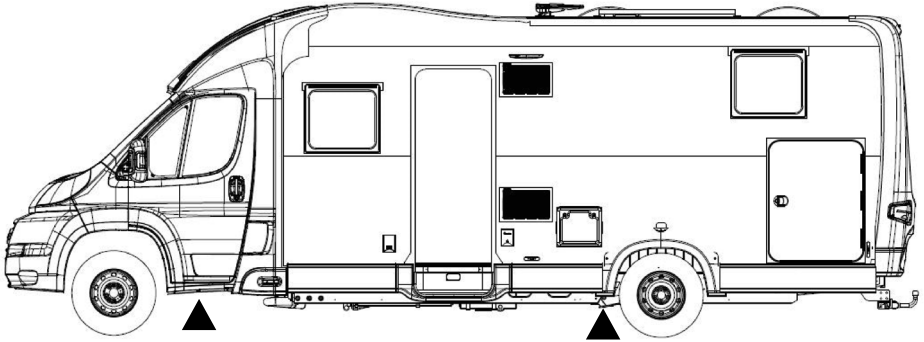
Care must be taken when distributing loads. The loadings and weights above are maximums and must not be exceeded under any circumstances.

\* With this vehicle configuration it will be necessary to reduce the payload carried inside the van when towing to ensure that the MTPLM and Maximum Axle Loads are not exceeded.

# The Maximum Trailer Weight is limited by the Gross Train Weight which must not be exceeded. For example if the vehicle is at its maximum MTPLM of 3650kg, then the Maximum Trailer Weight possible is 1850kg. Reducing the weight of the vehicle by removing payload, will allow you to increase the trailer weight up to a maximum of 2000kg.

**CAUTION:** When fitting a towbar, it must meet certain minimum requirements as specified by Type Approval Regulations. The bar will have marked on it the approval standard (94/20/EC or 55R ECE) and the maximum download, or noseweight, that it can accept. It must fit the manufacturer's approved mounting points and must not obscure the towing vehicle's number plate.

# Escape Jacking



Jacking Points for:      Escape 640, 664, 674, 684 & 694

# Kon-Tiki Specifications

Model	Kon-Tiki 764			
Roof Profile	Low Line Pod			
Engine	140 MJT	140 MJT Auto	160 / 180 MJT	160/180 MJT Auto
Engine Capacity	2.0ltr			
Max Power	140hp @ 3500rpm		160hp @ 3500rpm 180hp @ 3500rpm	
Torque	350 Nm @ 1400rpm	380 Nm @ 1400rpm	380 Nm @ 1500rpm	160hp 400 Nm 180hp 450 Nm @ 1500rpm
Chassis	Fiat / AL-KO Chassis			
Wheel base	4.30m / 14'1"			
Designated Passenger Seats (excluding Driver)	3			
Berths (sleeping positions)	4			
Overall Length (no ladder)	7.84m / 25'9"			
Overall Width (mirrors folded)	2.38m / 7'10"			
Overall Height	2.89m / 9'6"			
Maximum Technical Permissible Laden Mass (A)	4500kg			
Mass in Running Order (B)	3397kg	3415kg	3397kg	3415kg
Maximum User Payload (A-B)	1103kg	1085kg	1103kg	1085kg
Unladen Weight	3232kg	3250kg	3232kg	3250kg
Essential Habitation Equipment	0kg			
Thermal Insulation Grade	THREE			
<b>Bed Sizes</b>				
Front Double	194cm x 133cm / 106cm / 6'4" x 4'4" / 3'6"			
Rear Double	188cm x 129cm / 6'2" x 4'3"			
Rear Nearside Single				
Rear Offside Single				
Drop Down Bed				

**NOTE: 1. The Maximum User Payload** includes:

- the **conventional load** (this is the allowance for passengers)
- essential habitation equipment** (items and fluids required for safe and proper functioning of habitation equipment)
- optional equipment** (items available from the manufacturer over and above the standard specification)
- personal effects** (those items not covered by the above)

2. The **Mass in Running Order** is the mass of the unladen vehicle including a 75kg allowance for the driver plus engine coolants and 90% of the fuel tank and 1 x 6kg Calor Lite cylinder.

3. The MRO is calculated with the fresh water tank empty. If you travel with water in the fresh water tank then the payload will reduce accordingly.

4. PLEASE TAKE CARE TO ENSURE THAT YOU HAVE ALLOWED FOR THE MASSES OF ALL ITEMS YOU INTEND TO CARRY IN THE MOTOR CARAVAN, e.g. passengers, optional equipment, essential habitation equipment and personal effects, such as clothing, food, pets, bicycles, sailboards, s equipment etc.

5. **WARNING - UNDER NO CIRCUMSTANCES SHOULD THE MAXIMUM TECHNICAL PERMISSIBLE LADEN MASS OF THIS MOTOR CARAVAN BE EXCEEDED.**

Est = Estimated

# Kon-Tiki Specifications

Model	Kon-Tiki 774			
Roof Profile	Low Line Pod			
Engine	140 MJT	140 MJT Auto	160 / 180 MJT	160/180 MJT Auto
Engine Capacity	2.0ltr			
Max Power	140hp @ 3500rpm		160hp @ 3500rpm 180hp @ 3500rpm	
Torque	350 Nm @ 1400rpm	380 Nm @ 1400rpm	380 Nm @ 1500rpm	160hp 400 Nm 180hp 450 Nm @ 1500rpm
Chassis	Fiat / AL-KO Chassis			
Wheel base	4.70m / 15'5"			
Designated Passenger Seats (excluding Driver)	4			
Berths (sleeping positions)	6			
Overall Length (no ladder)	8.22m / 27'0"			
Overall Width (mirrors folded)	2.38m / 7'10"			
Overall Height	2.87m / 9'5"			
Maximum Technical Permissible Laden Mass (A)	4500kg			
Mass in Running Order (B)	3617kg	3635kg	3617kg	3635kg
Maximum User Payload (A-B)	883kg	865kg	883kg	865kg
Unladen Weight	3452kg	3470kg	3452kg	3470kg
Essential Habitation Equipment	0kg			
Thermal Insulation Grade	THREE			
<b>Bed Sizes</b>				
Front Double	194cm x 136cm / 6'4" x 4'6"			
Rear Double	203cm x 132cm / 6'8" x 4'4"			
Rear Nearside Single				
Rear Offside Single				
Drop Down Bed	189cm x 150cm / 6'2" x 4'11"			

**NOTE: 1. The Maximum User Payload** includes:

- conventional load** (this is the allowance for passengers)
- essential habitation equipment** (items and fluids required for safe and proper functioning of habitation equipment)
- optional equipment** (items available from the manufacturer over and above the standard specification)
- personal effects** (those items not covered by the above)

2. The **Mass in Running Order** is the mass of the unladen vehicle including a 75kg allowance for the driver plus engine coolants and 90% of the fuel tank and 1 x 6kg Calor Lite cylinder.

- The MRO is calculated with the fresh water tank empty. If you travel with water in the fresh water tank then the payload will reduce accordingly.
- PLEASE TAKE CARE TO ENSURE THAT YOU HAVE ALLOWED FOR THE MASSES OF ALL ITEMS YOU INTEND TO CARRY IN THE MOTOR CARAVAN, e.g. passengers, optional equipment, essential habitation equipment and personal effects, such as clothing, food, pets, bicycles, sailboards, s equipment etc.

5. **WARNING** - UNDER NO CIRCUMSTANCES SHOULD THE MAXIMUM TECHNICAL PERMISSIBLE LADEN MASS OF THIS MOTOR CARAVAN BE EXCEEDED.

Est = Estimated



# Kon-Tiki Specifications

Model	Kon-Tiki 784			
Roof Profile	Low Line Pod			
Engine	140 MJT	140 MJT Auto	160 / 180 MJT	160/180 MJT Auto
Engine Capacity	2.0ltr			
Max Power	140hp @ 3500rpm		160hp @ 3500rpm 180hp @ 3500rpm	
Torque	350 Nm @ 1400rpm	380 Nm @ 1400rpm	380 Nm @ 1500rpm	160hp 400 Nm 180hp 450 Nm @ 1500rpm
Chassis	Fiat / AL-KO Chassis			
Wheel base	4.70m / 15'5"			
Designated Passenger Seats (excluding Driver)	3			
Berths (sleeping positions)	4			
Overall Length (no ladder)	7.84m / 25'9"			
Overall Width (mirrors folded)	2.38m / 7'10"			
Overall Height	2.89m / 9'6"			
Maximum Technical Permissible Laden Mass (A)	4500kg			
Mass in Running Order (B)	3440kg	3458kg	3440kg	3458kg
Maximum User Payload (A-B)	1060kg	1042kg	1060kg	1042kg
Unladen Weight	3275kg	3293kg	3275kg	3293kg
Essential Habitation Equipment	0kg			
Thermal Insulation Grade	THREE			
<b>Bed Sizes</b>				
Front Double	194cm x 133cm / 106cm / 6'4" x 4'4" / 3'6"			
Rear Double	206cm x 115cm / 6'9" x 3'9"			
Rear Nearside Single	195cm x 78cm / 6'5" x 2'7"			
Rear Offside Single	195cm x 78cm / 6'5" x 2'7"			
Drop Down Bed				

**NOTE: 1. The Maximum User Payload** includes:

- the **conventional load** (this is the allowance for passengers)
- essential habitation equipment** (items and fluids required for safe and proper functioning of habitation equipment)
- optional equipment** (items available from the manufacturer over and above the standard specification)
- personal effects** (those items not covered by the above)

- The **Mass in Running Order** is the mass of the unladen vehicle including a 75kg allowance for the driver plus engine coolants and 90% of the fuel tank and 1 x 6kg Calor Lite cylinder.
- The MRO is calculated with the fresh water tank empty. If you travel with water in the fresh water tank then the payload will reduce accordingly.
- PLEASE TAKE CARE TO ENSURE THAT YOU HAVE ALLOWED FOR THE MASSES OF ALL ITEMS YOU INTEND TO CARRY IN THE MOTOR CARAVAN, e.g. passengers, optional equipment, essential habitation equipment and personal effects, such as clothing, food, pets, bicycles, sailboards, s equipment etc.

**5. WARNING - UNDER NO CIRCUMSTANCES SHOULD THE MAXIMUM TECHNICAL PERMISSIBLE LADEN MASS OF THIS MOTOR CARAVAN BE EXCEEDED.**

Est = Estimated

# Kon-Tiki Specifications

Model	Kon-Tiki 794			
Roof Profile	Low Line Pod			
Engine	140 MJT	140 MJT Auto	160 / 180 MJT	160/180 MJT Auto
Engine Capacity	2.0ltr			
Max Power	140hp @ 3500rpm		160hp @ 3500rpm 180hp @ 3500rpm	
Torque	350 Nm @ 1400rpm	380 Nm @ 1400rpm	380 Nm @ 1500rpm	160hp 400 Nm 180hp 450 Nm @ 1500rpm
Chassis	Fiat / AL-KO Chassis			
Wheel base	4.70m / 15'5"			
Designated Passenger Seats (excluding Driver)	3			
Berths (sleeping positions)	4			
Overall Length (no ladder)	7.84m / 25'9"			
Overall Width (mirrors folded)	2.38m / 7'10"			
Overall Height	2.89m / 9'6"			
Maximum Technical Permissible Laden Mass (A)	4500kg			
Mass in Running Order (B)	3477kg	3495kg	3477kg	3495kg
Maximum User Payload (A-B)	1023kg	1005kg	1023kg	1005kg
Unladen Weight	3312kg	3330kg	3312kg	3330kg
Essential Habitation Equipment	0kg			
Thermal Insulation Grade	THREE			
Front Double	194cm x 133cm / 106cm / 6'4" x 4'4" / 3'6"			
Rear Double	180cm x 143cm / 5'11" x 4'8"			
Rear Nearside Single				
Rear Offside Single				
Drop Down Bed				

**NOTE: 1. The Maximum User Payload** includes:

- conventional load** (this is the allowance for passengers)
- essential habitation equipment** (items and fluids required for safe and proper functioning of habitation equipment)
- optional equipment** (items available from the manufacturer over and above the standard specification)
- personal effects** (those items not covered by the above)

2. The **Mass in Running Order** is the mass of the unladen vehicle including a 75kg allowance for the driver plus engine coolants and 90% of the fuel tank and 1 x 6kg Calor Lite cylinder.

- The MRO is calculated with the fresh water tank empty. If you travel with water in the fresh water tank then the payload will reduce accordingly.
- PLEASE TAKE CARE TO ENSURE THAT YOU HAVE ALLOWED FOR THE MASSES OF ALL ITEMS YOU INTEND TO CARRY IN THE MOTOR CARAVAN, e.g. passengers, optional equipment, essential habitation equipment and personal effects, such as clothing, food, pets, bicycles, sailboards, s equipment etc.

5. **WARNING** - UNDER NO CIRCUMSTANCES SHOULD THE MAXIMUM TECHNICAL PERMISSIBLE LADEN MASS OF THIS MOTOR CARAVAN BE EXCEEDED.

Est = Estimated

# Kon-Tiki Specifications

Model	Kon-Tiki 874			
Roof Profile	Low Line Pod			
Engine	140 MJT	140 MJT Auto	160 / 180 MJT	160/180 MJT Auto
Engine Capacity	2.0ltr			
Max Power	140hp @ 3500rpm		160hp @ 3500rpm 180hp @ 3500rpm	
Torque	350 Nm @ 1400rpm	380 Nm @ 1400rpm	380 Nm @ 1500rpm	160hp 400 Nm 180hp 450 Nm @ 1500rpm
Chassis	Fiat / AL-KO Chassis			
Wheel base	4.70m / 0.80m / 15'5" / 2'7"			
Designated Passenger Seats (excluding Driver)	4			
Berths (sleeping positions)	6			
Overall Length (no ladder)	8.96m / 29'5" Est			
Overall Width (mirrors folded)	2.38m / 7'10"			
Overall Height	2.91cm / 9'6" Est			
Maximum Technical Permissible Laden Mass (A)	5000kg			
Mass in Running Order (B)	3942kg	3960kg	3942kg	3960kg
Maximum User Payload (A-B)	1058kg	1040kg	1058kg	1040kg
Unladen Weight	3777kg	3795kg	3777kg	3795kg
Essential Habitation Equipment	0kg			
Thermal Insulation Grade	THREE			
<b>Bed Sizes</b>				
Front Double	194cm x 150cm / 136cm / 6'4" x 4'11" / 4'6"			
Rear Double	203cm x 183cm / 6'8" x 6'0"			
Rear Nearside Single				
Rear Offside Single				
Drop Down Bed	189cm x 150cm / 6'2" x 4'11"			

**NOTE: 1. The Maximum User Payload** includes:

- the **conventional load** (this is the allowance for passengers)
- essential habitation equipment** (items and fluids required for safe and proper functioning of habitation equipment)
- optional equipment** (items available from the manufacturer over and above the standard specification)
- personal effects** (those items not covered by the above)

- The **Mass in Running Order** is the mass of the unladen vehicle including a 75kg allowance for the driver plus engine coolants and 90% of the fuel tank and 1 x 6kg Calor Lite cylinder.
- The MRO is calculated with the fresh water tank empty. If you travel with water in the fresh water tank then the payload will reduce accordingly.
- PLEASE TAKE CARE TO ENSURE THAT YOU HAVE ALLOWED FOR THE MASSES OF ALL ITEMS YOU INTEND TO CARRY IN THE MOTOR CARAVAN, e.g. passengers, optional equipment, essential habitation equipment and personal effects, such as clothing, food, pets, bicycles, sailboards, s equipment etc.

**5. WARNING - UNDER NO CIRCUMSTANCES SHOULD THE MAXIMUM TECHNICAL PERMISSIBLE LADEN MASS OF THIS MOTOR CARAVAN BE EXCEEDED.**

Est = Estimated

# Kon-Tiki Specifications

Model	Kon-Tiki 884			
Roof Profile	Low Line Pod			
Engine	140 MJT	140 MJT Auto	160 / 180 MJT	160/180 MJT Auto
Engine Capacity	2.0ltr			
Max Power	140hp @ 3500rpm		160hp @ 3500rpm 180hp @ 3500rpm	
Torque	350 Nm @ 1400rpm	380 Nm @ 1400rpm	380 Nm @ 1500rpm	160hp 400 Nm 180hp 450 Nm @ 1500rpm
Chassis	Fiat / AL-KO Chassis			
Wheel base	4.70m / 0.80m / 15'5" / 2'7"			
Designated Passenger Seats (excluding Driver)	3			
Berths (sleeping positions)	4			
Overall Length (no ladder)	8.96m / 29'5" Est			
Overall Width (mirrors folded)	2.38m / 7'10"			
Overall Height	2.92m / 9'7" Est			
Maximum Technical Permissible Laden Mass (A)	5000kg			
Mass in Running Order (B)	3885kg	3903kg	3885kg	3903kg
Maximum User Payload (A-B)	1115kg	1097kg	1115kg	1097kg
Unladen Weight	3720kg	3738kg	3720kg	3738kg
Essential Habitation Equipment	0kg			
Thermal Insulation Grade	THREE			
<b>Bed Sizes</b>				
Front Double	194cm x 186cm / 150cm / 6'4" x 6'1" / 4'11"			
Rear Double	206cm x 115cm / 6'9" x 3'9"			
Rear Nearside Single	195cm x 78cm / 6'5" x 2'7"			
Rear Offside Single	195cm x 78cm / 6'5" x 2'7"			
Drop Down Bed				

**NOTE: 1. The Maximum User Payload** includes:

- conventional load** (this is the allowance for passengers)
- essential habitation equipment** (items and fluids required for safe and proper functioning of habitation equipment)
- optional equipment** (items available from the manufacturer over and above the standard specification)
- personal effects** (those items not covered by the above)

2. The **Mass in Running Order** is the mass of the unladen vehicle including a 75kg allowance for the driver plus engine coolants and 90% of the fuel tank and 1 x 6kg Calor Lite cylinder.

- The MRO is calculated with the fresh water tank empty. If you travel with water in the fresh water tank then the payload will reduce accordingly.
- PLEASE TAKE CARE TO ENSURE THAT YOU HAVE ALLOWED FOR THE MASSES OF ALL ITEMS YOU INTEND TO CARRY IN THE MOTOR CARAVAN, e.g. passengers, optional equipment, essential habitation equipment and personal effects, such as clothing, food, pets, bicycles, sailboards, s equipment etc.

5. **WARNING** - UNDER NO CIRCUMSTANCES SHOULD THE MAXIMUM TECHNICAL PERMISSIBLE LADEN MASS OF THIS MOTOR CARAVAN BE EXCEEDED.

Est = Estimated

# Kon-Tiki Specifications

Model	Kon-Tiki 894			
Roof Profile	Low Line Pod			
Engine	140 MJT	140 MJT Auto	160 / 180 MJT	160/180 MJT Auto
Engine Capacity	2.0ltr			
Max Power	140hp @ 3500rpm		160hp @ 3500rpm 180hp @ 3500rpm	
Torque	350 Nm @ 1400rpm	380 Nm @ 1400rpm	380 Nm @ 1500rpm	160hp 400 Nm 180hp 450 Nm @ 1500rpm
Chassis	Fiat / AL-KO Chassis			
Wheel base	4.70m / 0.80m / 15'5" / 2'7"			
Designated Passenger Seats (excluding Driver)	3			
Berths (sleeping positions)	4			
Overall Length (no ladder)	8.96m / 29'5" Est			
Overall Width (mirrors folded)	2.38m / 7'10"			
Overall Height	2.92m / 9'7" Est			
Maximum Technical Permissible Laden Mass (A)	5000kg			
Mass in Running Order (B)	3895kg	3913kg	3895kg	3913kg
Maximum User Payload (A-B)	1105kg	1087kg	1105kg	1087kg
Unladen Weight	3730kg	3748kg	3730kg	3748kg
Essential Habitation Equipment	0kg			
Thermal Insulation Grade	THREE			
<b>Bed Sizes</b>				
Front Double	194cm x 186cm / 150cm / 6'4" x 6'1" / 4'11"			
Rear Double	195cm x 143cm / 6'5" x 4'8"			
Rear Nearside Single				
Rear Offside Single				
Drop Down Bed				

**NOTE: 1. The Maximum User Payload** includes:

- the **conventional load** (this is the allowance for passengers)
- essential habitation equipment** (items and fluids required for safe and proper functioning of habitation equipment)
- optional equipment** (items available from the manufacturer over and above the standard specification)
- personal effects** (those items not covered by the above)

2. The **Mass in Running Order** is the mass of the unladen vehicle including a 75kg allowance for the driver plus engine coolants and 90% of the fuel tank and 1 x 6kg Calor Lite cylinder.

- The MRO is calculated with the fresh water tank empty. If you travel with water in the fresh water tank then the payload will reduce accordingly.
- PLEASE TAKE CARE TO ENSURE THAT YOU HAVE ALLOWED FOR THE MASSES OF ALL ITEMS YOU INTEND TO CARRY IN THE MOTOR CARAVAN, e.g. passengers, optional equipment, essential habitation equipment and personal effects, such as clothing, food, pets, bicycles, sailboards, s equipment etc.

5. **WARNING - UNDER NO CIRCUMSTANCES SHOULD THE MAXIMUM TECHNICAL PERMISSIBLE LADEN MASS OF THIS MOTOR CARAVAN BE EXCEEDED.**

Est = Estimated

# Kon-Tiki Specifications

Model	Kon-Tiki 984			
Roof Profile	High Line			
Engine	140 MJT	140 MJT Auto	160 / 180 MJT	160/180 MJT Auto
Engine Capacity	2.0ltr			
Max Power	140hp @ 3500rpm		160hp @ 3500rpm 180hp @ 3500rpm	
Torque	350 Nm @ 1400rpm	380 Nm @ 1400rpm	380 Nm @ 1500rpm	160hp 400 Nm 180hp 450 Nm @ 1500rpm
Chassis	Fiat / AL-KO Chassis			
Wheel base	4.60m / 15'1" - 0.80m / 2'7"			
Designated Passenger Seats (excluding Driver)	3			
Berths (sleeping positions)	6			
Overall Length (no ladder)	9.01m / 29'7"			
Overall Width (mirrors folded)	2.35m / 7'9"			
Overall Height	3.13m / 10'3"			
Maximum Technical Permissible Laden Mass (A)	5000kg			
Mass in Running Order (B)	4147kg	4165kg	4147kg	4165kg
Maximum User Payload (A-B)	853kg	835kg	853kg	835kg
Unladen Weight	3993kg	4011kg	3993kg	4011kg
Essential Habitation Equipment	0kg			
Thermal Insulation Grade	THREE			
<b>Bed Sizes</b>				
Front Double	204cm x 135cm / 6'8" x 4'5"			
Rear Double	203cm x 138cm / 6'8" x 4'6"			
Rear Nearside Single	193cm x 81cm / 6'4" x 2'8"			
Rear Offside Single	193cm x 81cm / 6'4" x 2'8"			
Drop Down Bed	190cm x 134cm / 6'3" x 4'5"			

**NOTE: 1. The Maximum User Payload** includes:

- conventional load** (this is the allowance for passengers)
- essential habitation equipment** (items and fluids required for safe and proper functioning of habitation equipment)
- optional equipment** (items available from the manufacturer over and above the standard specification)
- personal effects** (those items not covered by the above)

2. The **Mass in Running Order** is the mass of the unladen vehicle including a 75kg allowance for the driver plus engine coolants and 90% of the fuel tank and 1 x 6kg Calor Lite cylinder.

3. The MRO is calculated with the fresh water tank empty. If you travel with water in the fresh water tank then the payload will reduce accordingly.

4. PLEASE TAKE CARE TO ENSURE THAT YOU HAVE ALLOWED FOR THE MASSES OF ALL ITEMS YOU INTEND TO CARRY IN THE MOTOR CARAVAN, e.g. passengers, optional equipment, essential habitation equipment and personal effects, such as clothing, food, pets, bicycles, sailboards, s equipment etc.

5. **WARNING** - UNDER NO CIRCUMSTANCES SHOULD THE MAXIMUM TECHNICAL PERMISSIBLE LADEN MASS OF THIS MOTOR CARAVAN BE EXCEEDED.

Est = Estimated

# Kon-Tiki Specifications

Model	Kon-Tiki 994			
Roof Profile	High Line			
Engine	140 MJT	140 MJT Auto	160 / 180 MJT	160/180 MJT Auto
Engine Capacity	2.0ltr			
Max Power	140hp @ 3500rpm		160hp @ 3500rpm 180hp @ 3500rpm	
Torque	350 Nm @ 1400rpm	380 Nm @ 1400rpm	380 Nm @ 1500rpm	160hp 400 Nm 180hp 450 Nm @ 1500rpm
Chassis	Fiat / AL-KO Chassis			
Wheel base	4.60m / 15'1" - 0.80m / 2'7"			
Designated Passenger Seats (excluding Driver)	3			
Berths (sleeping positions)	6			
Overall Length (no ladder)	9.01m / 29'7"			
Overall Width (mirrors folded)	2.35m / 7'9"			
Overall Height	3.13m / 10'3"			
Maximum Technical Permissible Laden Mass (A)	5000kg			
Mass in Running Order (B)	4147kg	4165kg	4147kg	4165kg
Maximum User Payload (A-B)	853kg	835kg	853kg	835kg
Unladen Weight	3993kg	4011kg	3993kg	4011kg
Essential Habitation Equipment	0kg			
Thermal Insulation Grade	THREE			
<b>Bed Sizes</b>				
Front Double	204cm x 135cm / 6'8" x 4'5"			
Rear Double	192cm x 143cm / 6'4" x 4'8"			
Rear Nearside Single				
Rear Offside Single				
Drop Down Bed	190 x 134cm / 6'3" x 4'5"			

# Kon-Tiki Capacities

## Water Tank Capacities

	<b>Fresh Water Tank</b>	<b>Waste Water Tank</b>	<b>Water Heater</b>
Kon-Tiki 700 & 800	90 litre	85 litre	8.5 litre
Kon-Tiki 900	125 litre	100 litre	8.5 litre

## LPG Locker Capacity

	<b>Capacity</b>
Kon-Tiki 700 & 800	1 x 6kg + 1 x 13kg
Kon-Tiki 900	2 x 13kg

**Note: For technical data on the base vehicle please refer to the manufacturer's handbook**



# Kon-Tiki Towing Capabilities

## Kon-Tiki Towing Capabilities

Model	MTPLM	Permissible Front Axle Load	Permissible Rear Axle Load	Recommended Maximum Trailer Weight	Gross Train Weight
Kon-Tiki 764	4500kg	2100kg	2500kg	2000kg#	6000kg#
Kon-Tiki 774	4500kg	2100kg	2500kg	2000kg#	6000kg#
Kon-Tiki 784	4500kg	2100kg	2500kg	2000kg#	6000kg#
Kon-Tiki 794	4500kg	2100kg	2500kg	2000kg#	6000kg#
Kon-Tiki 874	5000kg	2100kg	2 x 1600kg	2000kg#	6000kg#
Kon-Tiki 884	5000kg	2100kg	2 x 1600kg	2000kg#	6000kg#
Kon-Tiki 894	5000kg	2100kg	2 x 1600kg	2000kg#	6000kg#
Kon-Tiki 984	5000kg	2100kg	2 x 1600kg	2000kg#	6000kg#
Kon-Tiki 994	5000kg	2100kg	2 x 1600kg	2000kg#	6000kg#

Please note that the additional weight of the tow bar and trailer nose weight increases the rear axle loading of the motor home so care should be taken that the rear axle load is not exceeded when towing.

To ensure adequate road holding, the load on the front axle, under all conditions, must not be less than 40% or more than 70% of the total weight.

Care must be taken when distributing loads. The loadings and weights above are maximums and must not be exceeded under any circumstances.

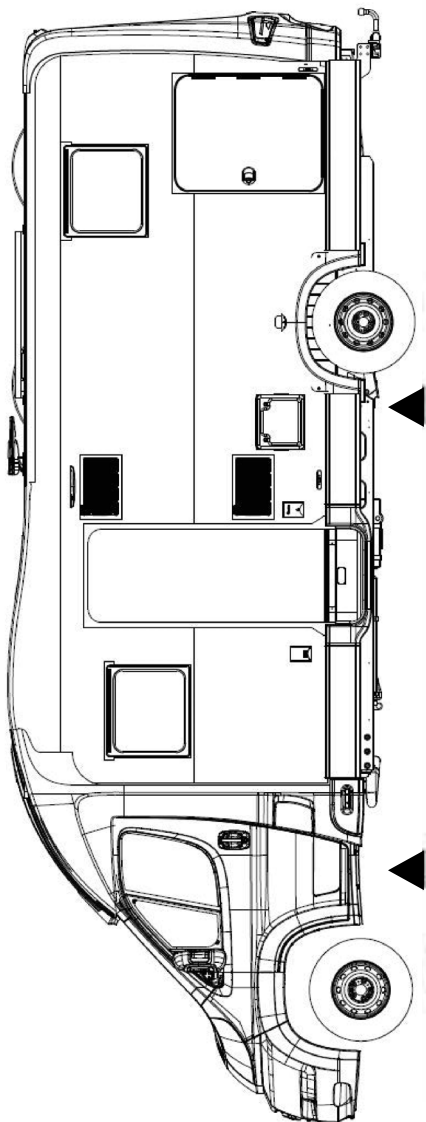
\* With this vehicle configuration it will be necessary to reduce the payload carried inside the van when towing to ensure that the MTPLM and Maximum Axle Loads are not exceeded.

# The Maximum Trailer Weight is limited by the Gross Train Weight which must not be exceeded. For example if a vehicle with a train weight of 6000kg is loaded to the maximum MTPLM of 4500kg then the maximum trailer weight possible is 1500kg. Reducing the weight of the vehicle by removing payload, will allow you to increase the trailer weight up to a maximum of 2000kg.

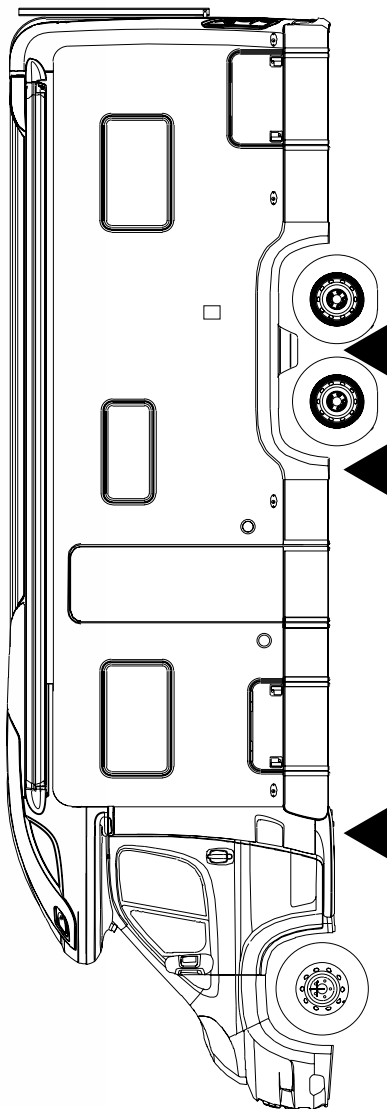
**CAUTION:** When fitting a towbar, it must meet certain minimum requirements as specified by Type Approval Regulations. The bar will have marked on it the approval standard (94/20/EC or 55R ECE) and the maximum download, or noseweight, that it can accept. It must fit the manufacturer's approved mounting points and must not obscure the towing vehicle's number plate.

# Kon-Tiki Jacking

**Kon-Tiki single axle jacking points**

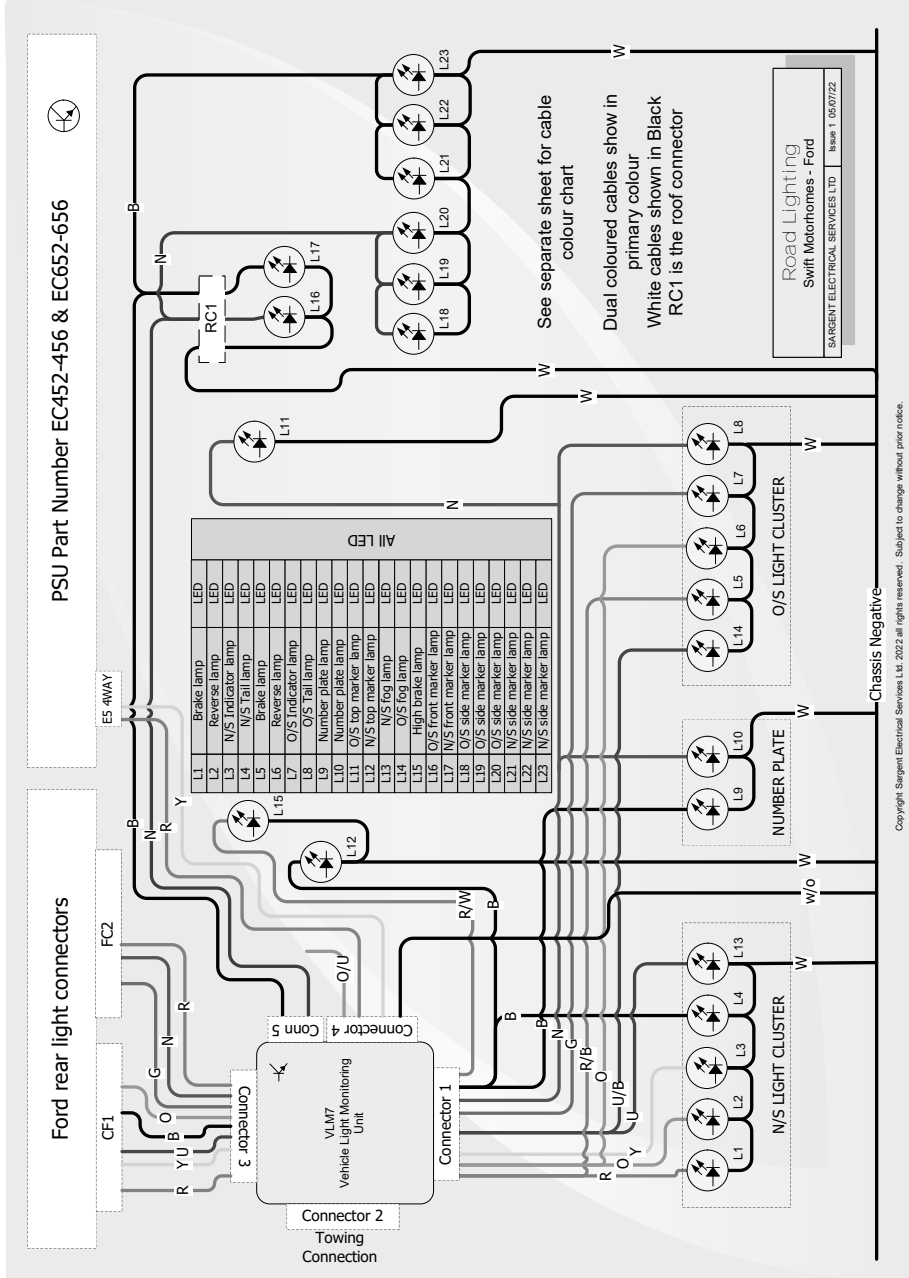


**Kon-Tiki twin axle jacking points**



# Wiring Diagrams

## Ford Road lighting circuits



Copyright Sargent Electrical Services Ltd. 2022 all rights reserved. Subject to change without prior notice.









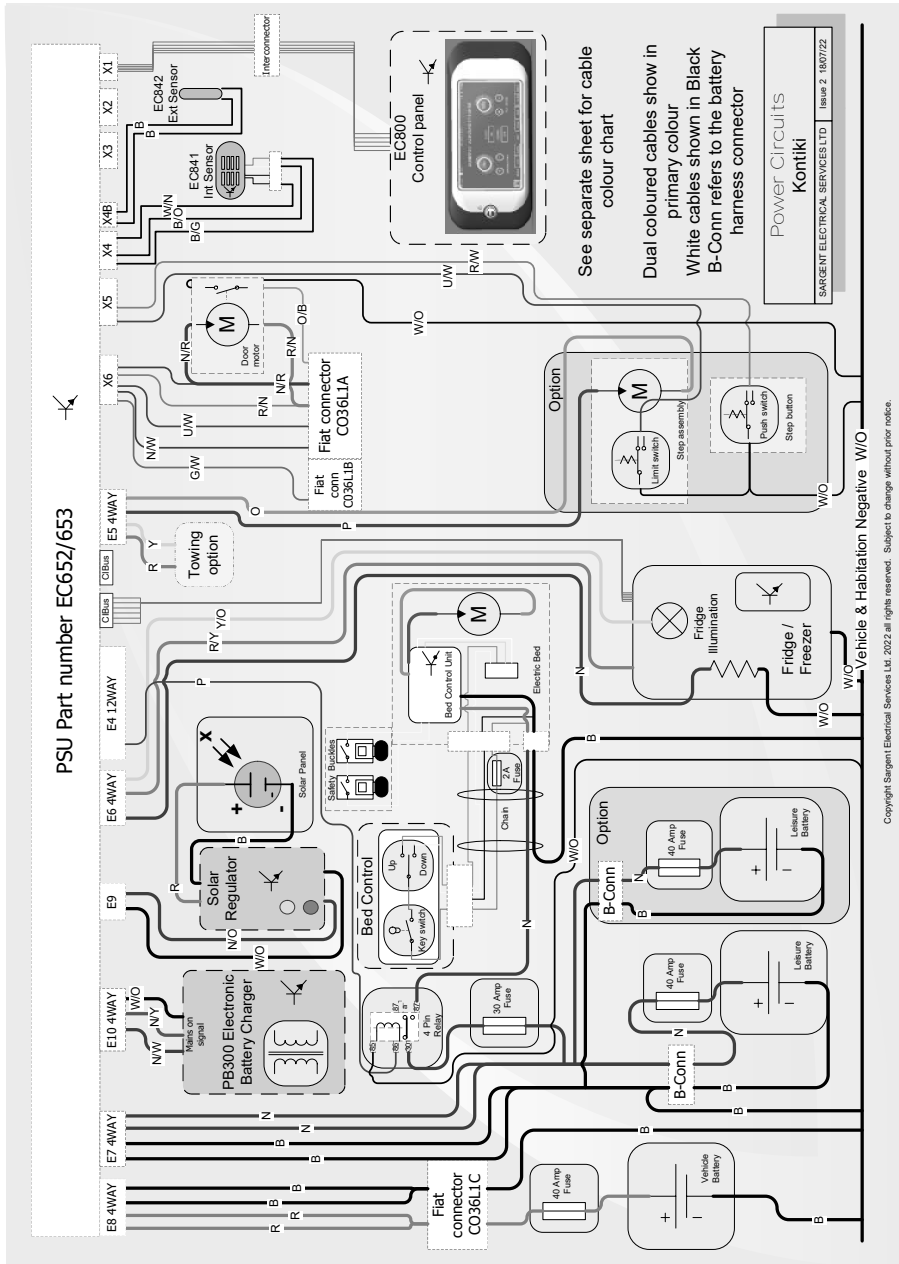






# Wiring Diagrams

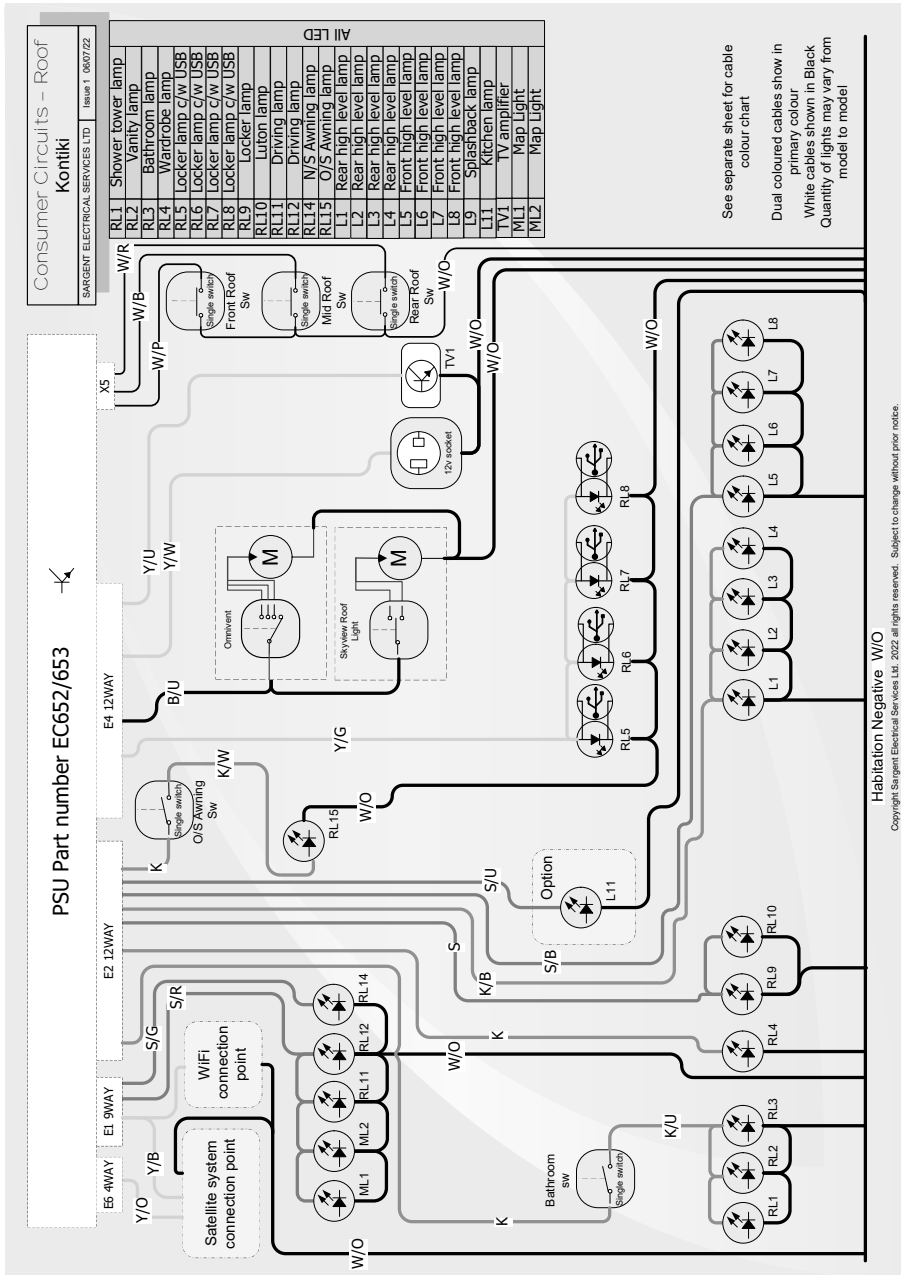
## Power Circuits Kon-Tiki



Copyright Sargent Electrical Services Ltd. 2022 all rights reserved. Subject to change without prior notice.

# Wiring Diagrams

## Kon-Tiki Consumer Circuits - Roof



See separate sheet for cable colour chart

Dual coloured cables show in primary colour

White cables shown in Black

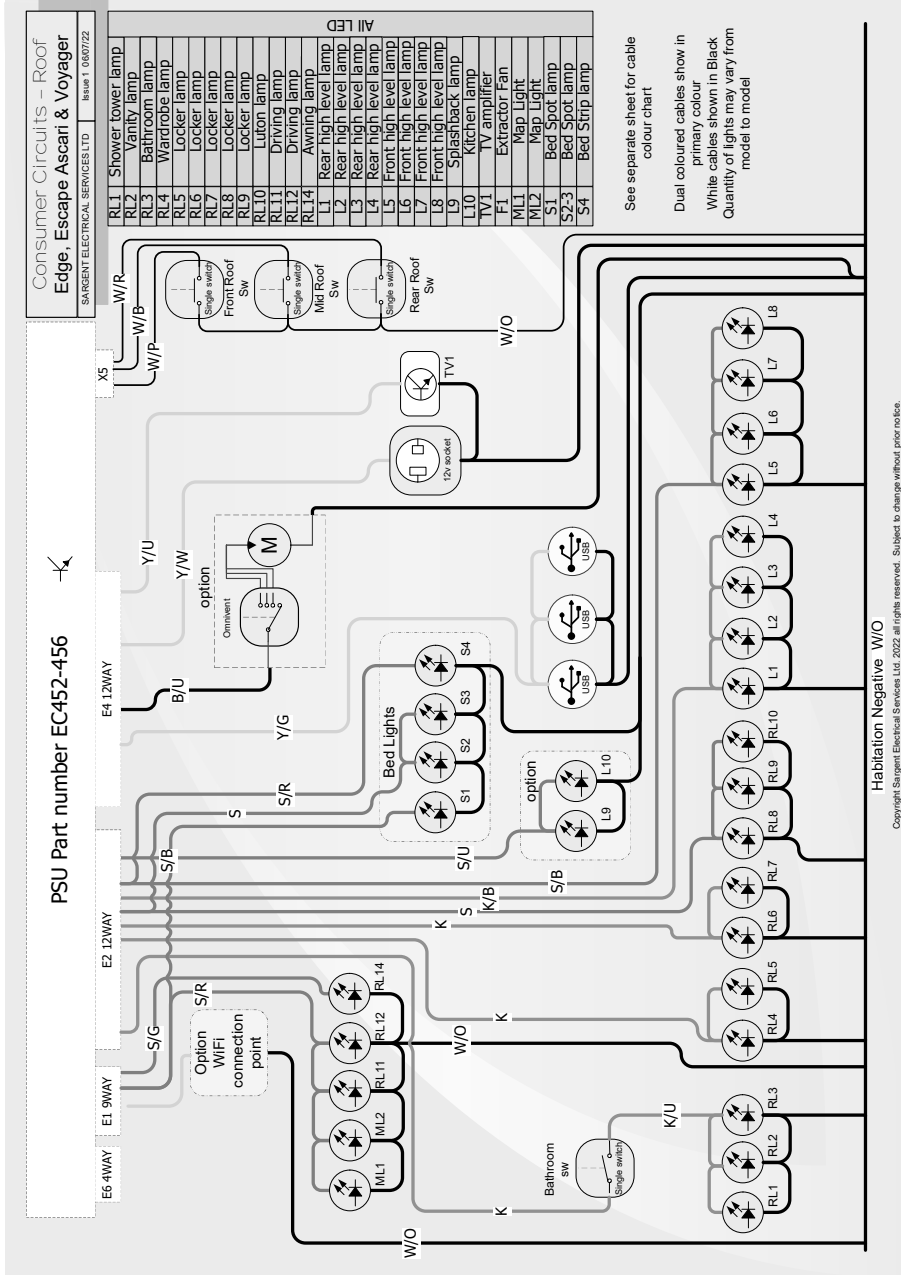
Quantity of lights may vary from model to model

Habitation Negative W/O

Copyright Sargent Electrical Services Ltd. 2022. All rights reserved. Subject to change without prior notice.

# Wiring Diagrams

## Edge, Escape and Select Compact Consumer Circuits - Roof



PSU Part number EC452-456

Habitation Negative W/O

Copyright Sargent Electrical Services Ltd. 2022 all rights reserved. Subject to change without prior notice.



## Cable Colour Chart

Example



**Y/U**

Yellow cable with Blue stripe

Cable Colour Chart  
Swift Group

SARGENT ELECTRICAL SERVICES LTD

Issue 1 12/03/21

### 12V Cable Colours

<b>B</b>	BLACK
<b>N</b>	BROWN
<b>R</b>	RED
<b>O</b>	ORANGE
<b>Y</b>	YELLOW
<b>G</b>	GREEN
<b>U</b>	BLUE
<b>P</b>	PURPLE
<b>S</b>	SLATE GREY
<b>W</b>	WHITE
<b>K</b>	PINK

### 230V Cable Colours

<b>B</b>	BLACK
<b>N</b>	BROWN
<b>W</b>	WHITE
<b>O</b>	ORANGE
<b>Y</b>	YELLOW
<b>G</b>	GREEN
<b>U</b>	BLUE

# Bulb Replacement

## ROAD LIGHT BULB ACCESS

### REAR LIGHT CLUSTERS (CONTAINING INDICATOR, TAIL / STOP, REVERSE AND FOG LAMPS)

- These multi-function lights are LED and have no user serviceable parts inside.
- Replacement clusters can be fitted in the following way:
- Remove three screws visible around the perimeter of the cluster
- Pull the cluster away from the rear panel of the tourer, taking care to not put excessive strain on the electrical connections behind the lamp
- Unplug the electrical connection from the rear of the lamp, by releasing the tab and lifting the connector upwards relative to the cluster
- Plug the connector back into the replacement lamp, position the lamp into the recess and replace the three fixing screws.

### NUMBER PLATE LAMPS, LED

- These lamps are LED and have no user serviceable parts inside.
- Replacements should be undertaken by your dealer, as the lamps are sealed onto the mounting panel.

### HIGH LEVEL BRAKE LAMP

- These lamps are LED and have no user serviceable parts inside.
- Replacements should be undertaken by your dealer, as the lamps are sealed onto the mounting panel.

### FRONT AND REAR UPPER MARKER / POSITION LAMPS

- These lamps are LED and have no user serviceable parts inside.
- Replacements should be undertaken by your dealer, as the lamps are sealed onto the mounting panel.

### SIDE MARKER / POSITION LAMPS

- These lamps are LED and have no user serviceable parts inside.
- Replacements should be undertaken by your dealer, as the lamps are sealed onto the mounting panel.





# Dealer Special Editions based on Escape

Model	Escape 640			
<b>Dealer</b>				
Lowdhams	Hi-Style 640			
Merit RV (NZ)	Voyager 640			
Roof Profile	Low Line Pod			
Engine	140 MJT	140 MJT Auto	160 MJT	160 MJT Auto
Engine Capacity	2.2ltr			
Max Power	140 Hp @ 3500 rpm		160hp @ 3500rpm 180hp @ 3500rpm	
Torque	350 Nm @ 1400rpm	380 Nm @ 1400rpm	380 Nm @ 1500rpm	160hp 400 Nm 180hp 450 Nm @ 1500rpm
Chassis	Fiat / AL-KO Chassis			
Wheel base	4.20m / 13'9"			
Designated Passenger Seats (excluding Driver)	3			
Berths (sleeping positions)	4			
Overall Length (no ladder)	6.99m / 22'11"			
Overall Width (mirrors folded)	2.37m / 7'9"			
Overall Height	2.86m / 9'5"			
Maximum Technical Permissible Laden Mass (A)	3500kg			
Mass in Running Order (B)	3071kg	3104kg	3086kg	3104kg
Maximum User Payload (A-B)	429kg	396kg	414kg	396kg
Unladen Weight	2940kg	2973kg	2955kg	2973kg
Essential Habitation Equipment	0kg			
Thermal Insulation Grade	THREE			
<b>Bed Sizes</b>				
Front Double	194cm x 165cm / 136cm / 6'4" x 5'10" / 4'6"			
Rear Double				
Rear Nearside Single				
Rear Offside Single				
Drop Down Bed	189cm x 150cm / 6'2" x 4'11"			

**NOTE: 1. The Maximum User Payload** includes:

- the **conventional load** (this is the allowance for passengers)
- essential habitation equipment** (items and fluids required for safe and proper functioning of habitation equipment)
- optional equipment** (items available from the manufacturer over and above the standard specification)
- personal effects** (those items not covered by the above)

2. The **Mass in Running Order** is the mass of the unladen vehicle including a 75kg allowance for the driver plus engine coolants and 90% of the fuel tank and 1 x 6kg Calor Lite cylinder.

- The MRO is calculated with the fresh water tank empty. If you travel with water in the fresh water tank then the payload will reduce accordingly.
- PLEASE TAKE CARE TO ENSURE THAT YOU HAVE ALLOWED FOR THE MASSES OF ALL ITEMS YOU INTEND TO CARRY IN THE MOTOR CARAVAN, e.g. passengers, optional equipment, essential habitation equipment and personal effects, such as clothing, food, pets, bicycles, sailboards, s equipment etc.

5. **WARNING** - UNDER NO CIRCUMSTANCES SHOULD THE MAXIMUM TECHNICAL PERMISSIBLE LADEN MASS OF THIS MOTOR CARAVAN BE EXCEEDED.

Est = Estimated

# Dealer Special Editions based on Escape

Model	Escape 664			
<b>Dealer</b>				
Lowdhams	Hi-Style 664			
Merit RV (NZ)	Voyager 664			
Roof Profile	Low Line Pod			
Engine	140 MJT	140 MJT Auto	160 MJT	160 MJT Auto
Engine Capacity	2.2ltr			
Max Power	140 Hp @ 3500 rpm		160hp @ 3500rpm 180hp @ 3500rpm	
Torque	350 Nm @ 1400rpm	380 Nm @ 1400rpm	380 Nm @ 1500rpm	160hp 400 Nm 180hp 450 Nm @ 1500rpm
Chassis	Fiat / AL-KO Chassis			
Wheel base	4.30m / 14' 1"			
Designated Passenger Seats (excluding Driver)	3			
Berths (sleeping positions)	4			
Overall Length (no ladder)	7.84m / 25'9"			
Overall Width (mirrors folded)	2.37m / 7'9"			
Overall Height	2.88m / 9'5" Est			
Maximum Technical Permissible Laden Mass (A)	3500kg	3700kg	3700kg	3700kg
Mass in Running Order (B)	3121kg	3154kg	3156kg	3154kg
Maximum User Payload (A-B)	379kg	546kg	564kg	546kg
Unladen Weight	2990kg	3023kg	3005kg	3023kg
Essential Habitation Equipment	0kg			
Thermal Insulation Grade	THREE			
<b>Bed Sizes</b>				
Front Double	194cm x 133cm / 106cm / 6'4" x 4'4" / 3'6"			
Rear Double	188cm x 129cm / 6'2" x 4'3"			
Rear Nearside Single				
Rear Offside Single				
Drop Down Bed				

**NOTE: 1. The Maximum User Payload** includes:

- conventional load** (this is the allowance for passengers)
- essential habitation equipment** (items and fluids required for safe and proper functioning of habitation equipment)
- optional equipment** (items available from the manufacturer over and above the standard specification)
- personal effects** (those items not covered by the above)

2. The **Mass in Running Order** is the mass of the unladen vehicle including a 75kg allowance for the driver plus engine coolants and 90% of the fuel tank and 1 x 6kg Calor Lite cylinder.

3. The MRO is calculated with the fresh water tank empty. If you travel with water in the fresh water tank then the payload will reduce accordingly.

4. PLEASE TAKE CARE TO ENSURE THAT YOU HAVE ALLOWED FOR THE MASSES OF ALL ITEMS YOU INTEND TO CARRY IN THE MOTOR CARAVAN, e.g. passengers, optional equipment, essential habitation equipment and personal effects, such as clothing, food, pets, bicycles, sailboards, s equipment etc.

5. **WARNING** - UNDER NO CIRCUMSTANCES SHOULD THE MAXIMUM TECHNICAL PERMISSIBLE LADEN MASS OF THIS MOTOR CARAVAN BE EXCEEDED.

Est = Estimated

# Dealer Special Editions based on Escape

Model	Escape 674			
Dealer				
Lowdhams	Hi-Style 674			
Merit RV (NZ)	Voyager 674			
Roof Profile	Low Line Pod			
Engine	140 MJT	140 MJT Auto	160 MJT	160 MJT Auto
Engine Capacity	2.2ltr			
Max Power	140 Hp @ 3500 rpm		160hp @ 3500rpm 180hp @ 3500rpm	
Torque	350 Nm @ 1400rpm	380 Nm @ 1400rpm	380 Nm @ 1500rpm	160hp 400 Nm 180hp 450 Nm @ 1500rpm
Chassis	Fiat / AL-KO Chassis			
Wheel base	4.70m / 15'5"			
Designated Passenger Seats (excluding Driver)	4			
Berths (sleeping positions)	6			
Overall Length (no ladder)	8.22m / 27'0"			
Overall Width (mirrors folded)	2.37m / 7'9"			
Overall Height	2.86m / 9'5"			
Maximum Technical Permissible Laden Mass (A)	4500kg Est			
Mass in Running Order (B)	3370kg	3403kg	3385kg	3403kg
Maximum User Payload (A-B)	1230kg	1097kg	1115kg	1097kg
Unladen Weight	3227kg	3260kg	3242kg	3260kg
Essential Habitation Equipment	0kg			
Thermal Insulation Grade	THREE			
<b>Bed Sizes</b>				
Front Double	194cm x 136cm / 6'4" x 4'6"			
Rear Double	202cm x 132cm / 6'8" x 4'4"			
Rear Nearside Single				
Rear Offside Single				
Drop Down Bed	189cm x 150cm / 6'2" x 4'11"			

**NOTE: 1. The Maximum User Payload** includes:

- the **conventional load** (this is the allowance for passengers)
- essential habitation equipment** (items and fluids required for safe and proper functioning of habitation equipment)
- optional equipment** (items available from the manufacturer over and above the standard specification)
- personal effects** (those items not covered by the above)

2. The **Mass in Running Order** is the mass of the unladen vehicle including a 75kg allowance for the driver plus engine coolants and 90% of the fuel tank and 1 x 6kg Calor Lite cylinder.

3. The MRO is calculated with the fresh water tank empty. If you travel with water in the fresh water tank then the payload will reduce accordingly.

4. PLEASE TAKE CARE TO ENSURE THAT YOU HAVE ALLOWED FOR THE MASSES OF ALL ITEMS YOU INTEND TO CARRY IN THE MOTOR CARAVAN, e.g. passengers, optional equipment, essential habitation equipment and personal effects, such as clothing, food, pets, bicycles, sailboards, s equipment etc.

5. **WARNING - UNDER NO CIRCUMSTANCES SHOULD THE MAXIMUM TECHNICAL PERMISSIBLE LADEN MASS OF THIS MOTOR CARAVAN BE EXCEEDED.**

Est = Estimated

# Dealer Special Editions based on Escape

Model	Escape 684			
Dealer				
Lowdhams	Hi-Style 684			
Merit RV (NZ)	Voyager 684			
Roof Profile	Low Line Pod			
Engine	140 MJT	140 MJT Auto	160 MJT	160 MJT Auto
Engine Capacity	2.2ltr			
Max Power	140 Hp @ 3500 rpm		160hp @ 3500rpm 180hp @ 3500rpm	
Torque	350 Nm @ 1400rpm	380 Nm @ 1400rpm	380 Nm @ 1500rpm	160hp 400 Nm 180hp 450 Nm @ 1500rpm
Chassis	Fiat / AL-KO Chassis			
Wheel base	4.70m / 15'5"			
Designated Passenger Seats (excluding Driver)	3			
Berths (sleeping positions)	4			
Overall Length (no ladder)	7.84m / 25'9"			
Overall Width (mirrors folded)	2.37m / 7'9"			
Overall Height	2.88m / 9'5"			
Maximum Technical Permissible Laden Mass (A)	3500kg	3700kg	3700kg	3700kg
Mass in Running Order (B)	3141kg	3161kg	3156kg	3161kg
Maximum User Payload (A-B)	359kg	539kg	544kg	539kg
Unladen Weight	3010kg	3030kg	3025kg	3030kg
Essential Habitation Equipment	0kg			
Thermal Insulation Grade	THREE			
Bed Sizes				
Front Double	194cm x 133cm / 106cm / 6'4" x 4'4" / 3'6"			
Rear Double	206cm x 115cm / 6'9" x 3'9"			
Rear Nearside Single	195cm x 78cm / 6'5" x 2'7"			
Rear Offside Single	195cm x 78cm / 6'5" x 2'7"			
Drop Down Bed				

**NOTE: 1. The Maximum User Payload** includes:

- conventional load** (this is the allowance for passengers)
- essential habitation equipment** (items and fluids required for safe and proper functioning of habitation equipment)
- optional equipment** (items available from the manufacturer over and above the standard specification)
- personal effects** (those items not covered by the above)

2. The **Mass in Running Order** is the mass of the unladen vehicle including a 75kg allowance for the driver plus engine coolants and 90% of the fuel tank and 1 x 6kg Calor Lite cylinder.

3. The MRO is calculated with the fresh water tank empty. If you travel with water in the fresh water tank then the payload will reduce accordingly.

4. PLEASE TAKE CARE TO ENSURE THAT YOU HAVE ALLOWED FOR THE MASSES OF ALL ITEMS YOU INTEND TO CARRY IN THE MOTOR CARAVAN, e.g. passengers, optional equipment, essential habitation equipment and personal effects, such as clothing, food, pets, bicycles, sailboards, s equipment etc.

5. **WARNING** - UNDER NO CIRCUMSTANCES SHOULD THE MAXIMUM TECHNICAL PERMISSIBLE LADEN MASS OF THIS MOTOR CARAVAN BE EXCEEDED.

Est = Estimated

# Dealer Special Editions based on Escape

Model	Escape 694			
<b>Dealer</b>				
Lowdhams	Hi-Style 694			
Merit RV (NZ)	Voyager 694			
Roof Profile	Low Line Pod			
Engine	140 MJT	140 MJT Auto	160 MJT	160 MJT Auto
Engine Capacity	2.2ltr			
Max Power	140 Hp @ 3500 rpm		160hp @ 3500rpm 180hp @ 3500rpm	
Torque	350 Nm @ 1400rpm	380 Nm @ 1400rpm	380 Nm @ 1500rpm	160hp 400 Nm 180hp 450 Nm @ 1500rpm
Chassis	Fiat / AL-KO Chassis			
Wheel base	4.70m / 15'5"			
Designated Passenger Seats (excluding Driver)	3			
Berths (sleeping positions)	4			
Overall Length (no ladder)	7.84m / 25'9"			
Overall Width (mirrors folded)	2.37m / 7'9"			
Overall Height	2.88m / 9'5"			
Maximum Technical Permissible Laden Mass (A)	3500kg	3700kg	3700kg	3700kg
Mass in Running Order (B)	3151kg	3184kg	3166kg	3184kg
Maximum User Payload (A-B)	349kg	516kg	534kg	516kg
Unladen Weight	3020kg	3053kg	3035kg	3053kg
Essential Habitation Equipment	0kg			
Thermal Insulation Grade	THREE			
<b>Bed Sizes</b>				
Front Double	194cm x 133cm / 106cm / 6'4" x 4'4" / 3'6"			
Rear Double	180cm x 143cm / 5'11" x 4'8"			
Rear Nearside Single				
Rear Offside Single				
Drop Down Bed				

**NOTE:** 1. **The Maximum User Payload** includes:

- the **conventional load** (this is the allowance for passengers)
- essential habitation equipment** (items and fluids required for safe and proper functioning of habitation equipment)
- optional equipment** (items available from the manufacturer over and above the standard specification)
- personal effects** (those items not covered by the above)

- The **Mass in Running Order** is the mass of the unladen vehicle including a 75kg allowance for the driver plus engine coolants and 90% of the fuel tank and 1 x 6kg Calor Lite cylinder.
- The MRO is calculated with the fresh water tank empty. If you travel with water in the fresh water tank then the payload will reduce accordingly.
- PLEASE TAKE CARE TO ENSURE THAT YOU HAVE ALLOWED FOR THE MASSES OF ALL ITEMS YOU INTEND TO CARRY IN THE MOTOR CARAVAN, e.g. passengers, optional equipment, essential habitation equipment and personal effects, such as clothing, food, pets, bicycles, sailboards, s equipment etc.

- WARNING** - UNDER NO CIRCUMSTANCES SHOULD THE MAXIMUM TECHNICAL PERMISSIBLE LADEN MASS OF THIS MOTOR CARAVAN BE EXCEEDED.

Est = Estimated



# Dealer Special Editions based on Kon-Tiki

Model	Kon-Tiki 764			
Dealer				
Lowdhams	Kon-Tiki 764 Grand Prix			
Roof Profile	Low Line Pod			
Engine	140 MJT	140 MJT Auto	160 / 180 MJT	160/180 MJT Auto
Engine Capacity	2.0ltr			
Max Power	140hp @ 3500rpm		160hp @ 3500rpm 180hp @ 3500rpm	
Torque	350 Nm @ 1400rpm	380 Nm @ 1400rpm	380 Nm @ 1500rpm	160hp 400 Nm 180hp 450 Nm @ 1500rpm
Chassis	Fiat / AL-KO Chassis			
Wheel base	4.30m / 14'1"			
Designated Passenger Seats (excluding Driver)	3			
Berths (sleeping positions)	4			
Overall Length (no ladder)	7.84m / 25'9"			
Overall Width (mirrors folded)	2.38m / 7'10"			
Overall Height	2.89m / 9'6"			
Maximum Technical Permissible Laden Mass (A)	4500kg			
Mass in Running Order (B)	3397kg	3415kg	3397kg	3415kg
Maximum User Payload (A-B)	1103kg	1085kg	1103kg	1085kg
Unladen Weight	3232kg	3250kg	3232kg	3250kg
Essential Habitation Equipment	0kg			
Thermal Insulation Grade	THREE			
Bed Sizes				
Front Double	194cm x 133cm / 106cm / 6'4" x 4'4" / 3'6"			
Rear Double	188cm x 129cm / 6'2" x 4'3"			
Rear Nearside Single				
Rear Offside Single				
Drop Down Bed				

**NOTE: 1. The Maximum User Payload** includes:

- the **conventional load** (this is the allowance for passengers)
- essential habitation equipment** (items and fluids required for safe and proper functioning of habitation equipment)
- optional equipment** (items available from the manufacturer over and above the standard specification)
- personal effects** (those items not covered by the above)

2. The **Mass in Running Order** is the mass of the unladen vehicle including a 75kg allowance for the driver plus engine coolants and 90% of the fuel tank and 1 x 6kg Calor Lite cylinder.

- The MRO is calculated with the fresh water tank empty. If you travel with water in the fresh water tank then the payload will reduce accordingly.
- PLEASE TAKE CARE TO ENSURE THAT YOU HAVE ALLOWED FOR THE MASSES OF ALL ITEMS YOU INTEND TO CARRY IN THE MOTOR CARAVAN, e.g. passengers, optional equipment, essential habitation equipment and personal effects, such as clothing, food, pets, bicycles, sailboards, s equipment etc.

5. **WARNING** - UNDER NO CIRCUMSTANCES SHOULD THE MAXIMUM TECHNICAL PERMISSIBLE LADEN MASS OF THIS MOTOR CARAVAN BE EXCEEDED.

Est = Estimated

# Dealer Special Editions based on Kon-Tiki

Model	Kon-Tiki 774			
<b>Dealer</b>				
Lowdhams	Kon-Tiki 774 Grand Prix			
Roof Profile	Low Line Pod			
Engine	140 MJT	140 MJT Auto	160 / 180 MJT	160/180 MJT Auto
Engine Capacity	2.0ltr			
Max Power	140hp @ 3500rpm		160hp @ 3500rpm 180hp @ 3500rpm	
Torque	350 Nm @ 1400rpm	380 Nm @ 1400rpm	380 Nm @ 1500rpm	160hp 400 Nm 180hp 450 Nm @ 1500rpm
Chassis	Fiat / AL-KO Chassis			
Wheel base	4.70m / 15' 5"			
Designated Passenger Seats (excluding Driver)	4			
Berths (sleeping positions)	6			
Overall Length (no ladder)	8.22m / 27'0"			
Overall Width (mirrors folded)	2.38m / 7'10"			
Overall Height	2.87m / 9'5"			
Maximum Technical Permissible Laden Mass (A)	4500kg			
Mass in Running Order (B)	3617kg	3635kg	3617kg	3635kg
Maximum User Payload (A-B)	883kg	865kg	883kg	865kg
Unladen Weight	3452kg	3470kg	3452kg	3470kg
Essential Habitation Equipment	0kg			
Thermal Insulation Grade	THREE			
<b>Bed Sizes</b>				
Front Double	194cm x 136cm / 6'4" x 4'6"			
Rear Double	203cm x 132cm / 6'8" x 4'4"			
Rear Nearside Single				
Rear Offside Single				
Drop Down Bed	189cm x 150cm / 6'2" x 4'11"			

**NOTE: 1. The Maximum User Payload** includes:

- conventional load** (this is the allowance for passengers)
- essential habitation equipment** (items and fluids required for safe and proper functioning of habitation equipment)
- optional equipment** (items available from the manufacturer over and above the standard specification)
- personal effects** (those items not covered by the above)

2. The **Mass in Running Order** is the mass of the unladen vehicle including a 75kg allowance for the driver plus engine coolants and 90% of the fuel tank and 1 x 6kg Calor Lite cylinder.

- The MRO is calculated with the fresh water tank empty. If you travel with water in the fresh water tank then the payload will reduce accordingly.
- PLEASE TAKE CARE TO ENSURE THAT YOU HAVE ALLOWED FOR THE MASSES OF ALL ITEMS YOU INTEND TO CARRY IN THE MOTOR CARAVAN, e.g. passengers, optional equipment, essential habitation equipment and personal effects, such as clothing, food, pets, bicycles, sailboards, s equipment etc.**

5. **WARNING** - UNDER NO CIRCUMSTANCES SHOULD THE MAXIMUM TECHNICAL PERMISSIBLE LADEN MASS OF THIS MOTOR CARAVAN BE EXCEEDED.

Est = Estimated



# Dealer Special Editions based on Kon-Tiki

Model	Kon-Tiki 784			
<b>Dealer</b>				
Lowdhams	Kon-Tiki 784 Grand Prix			
Roof Profile	Low Line Pod			
Engine	140 MJT	140 MJT Auto	160 / 180 MJT	160/180 MJT Auto
Engine Capacity	2.0ltr			
Max Power	140hp @ 3500rpm		160hp @ 3500rpm 180hp @ 3500rpm	
Torque	350 Nm @ 1400rpm	380 Nm @ 1400rpm	380 Nm @ 1500rpm	160hp 400 Nm 180hp 450 Nm @ 1500rpm
Chassis	Fiat / AL-KO Chassis			
Wheel base	4.70m / 15'5"			
Designated Passenger Seats (excluding Driver)	3			
Berths (sleeping positions)	4			
Overall Length (no ladder)	7.84m / 25'9"			
Overall Width (mirrors folded)	2.38m / 7'10"			
Overall Height	2.89m / 9'6"			
Maximum Technical Permissible Laden Mass (A)	4500kg			
Mass in Running Order (B)	3440kg	3458kg	3440kg	3458kg
Maximum User Payload (A-B)	1060kg	1042kg	1060kg	1042kg
Unladen Weight	3275kg	3293kg	3275kg	3293kg
Essential Habitation Equipment	0kg			
Thermal Insulation Grade	THREE			
<b>Bed Sizes</b>				
Front Double	194cm x 133cm / 106cm / 6'4" x 4'4" / 3'6"			
Rear Double	206cm x 115cm / 6'9" x 3'9"			
Rear Nearside Single	195cm x 78cm / 6'5" x 2'7"			
Rear Offside Single	195cm x 78cm / 6'5" x 2'7"			
Drop Down Bed				

**NOTE: 1. The Maximum User Payload** includes:

- the **conventional load** (this is the allowance for passengers)
- essential habitation equipment** (items and fluids required for safe and proper functioning of habitation equipment)
- optional equipment** (items available from the manufacturer over and above the standard specification)
- personal effects** (those items not covered by the above)

2. The **Mass in Running Order** is the mass of the unladen vehicle including a 75kg allowance for the driver plus engine coolants and 90% of the fuel tank and 1 x 6kg Calor Lite cylinder.

- The MRO is calculated with the fresh water tank empty. If you travel with water in the fresh water tank then the payload will reduce accordingly.
- PLEASE TAKE CARE TO ENSURE THAT YOU HAVE ALLOWED FOR THE MASSES OF ALL ITEMS YOU INTEND TO CARRY IN THE MOTOR CARAVAN, e.g. passengers, optional equipment, essential habitation equipment and personal effects, such as clothing, food, pets, bicycles, sailboards, s equipment etc.

5. **WARNING - UNDER NO CIRCUMSTANCES SHOULD THE MAXIMUM TECHNICAL PERMISSIBLE LADEN MASS OF THIS MOTOR CARAVAN BE EXCEEDED.**

Est = Estimated

# Dealer Special Editions based on Kon-Tiki

Model	Kon-Tiki 794			
Dealer				
Lowdhams	Kon-Tiki 794 Grand Prix			
Roof Profile	Low Line Pod			
Engine	140 MJT	140 MJT Auto	160 / 180 MJT	160/180 MJT Auto
Engine Capacity	2.0ltr			
Max Power	140hp @ 3500rpm		160hp @ 3500rpm 180hp @ 3500rpm	
Torque	350 Nm @ 1400rpm	380 Nm @ 1400rpm	380 Nm @ 1500rpm	160hp 400 Nm 180hp 450 Nm @ 1500rpm
Chassis	Fiat / AL-KO Chassis			
Wheel base	4.70m / 15'5"			
Designated Passenger Seats (excluding Driver)	3			
Berths (sleeping positions)	4			
Overall Length (no ladder)	7.84m / 25'9"			
Overall Width (mirrors folded)	2.38m / 7'10"			
Overall Height	2.89m / 9'6"			
Maximum Technical Permissible Laden Mass (A)	4500kg			
Mass in Running Order (B)	3477kg	3495kg	3477kg	3495kg
Maximum User Payload (A-B)	1023kg	1005kg	1023kg	1005kg
Unladen Weight	3312kg	3330kg	3312kg	3330kg
Essential Habitation Equipment	0kg			
Thermal Insulation Grade	THREE			
Front Double	194cm x 133cm / 106cm / 6'4" x 4'4" / 3'6"			
Rear Double	180cm x 143cm / 5'11" x 4'8"			
Rear Nearside Single				
Rear Offside Single				
Drop Down Bed				

**NOTE: 1. The Maximum User Payload** includes:

- conventional load** (this is the allowance for passengers)
- essential habitation equipment** (items and fluids required for safe and proper functioning of habitation equipment)
- optional equipment** (items available from the manufacturer over and above the standard specification)
- personal effects** (those items not covered by the above)

2. The **Mass in Running Order** is the mass of the unladen vehicle including a 75kg allowance for the driver plus engine coolants and 90% of the fuel tank and 1 x 6kg Calor Lite cylinder.

- The MRO is calculated with the fresh water tank empty. If you travel with water in the fresh water tank then the payload will reduce accordingly.
- PLEASE TAKE CARE TO ENSURE THAT YOU HAVE ALLOWED FOR THE MASSES OF ALL ITEMS YOU INTEND TO CARRY IN THE MOTOR CARAVAN, e.g. passengers, optional equipment, essential habitation equipment and personal effects, such as clothing, food, pets, bicycles, sailboards, s equipment etc.

5. **WARNING** - UNDER NO CIRCUMSTANCES SHOULD THE MAXIMUM TECHNICAL PERMISSIBLE LADEN MASS OF THIS MOTOR CARAVAN BE EXCEEDED.

Est = Estimated

# Dealer Special Editions based on Kon-Tiki

Model	Kon-Tiki 874			
<b>Dealer</b>				
Lowdhams	Kon-Tiki 874 Grand Prix			
Roof Profile	Low Line Pod			
Engine	160 MJT	160 MJT Auto	180 MJT	180 MJT Auto
Engine Capacity	2.2ltr			
Max Power	160 HP @ 3500rpm		180 HP @ 3500rpm	
Torque	380 Nm @ 1500rpm	400 Nm @ 1500rpm	380 Nm @ 1500rpm	450 Nm @ 1500rpm
Chassis	Fiat / AL-KO Chassis			
Wheel base	4.70m / 0.8m - 15'5" / 2'7"			
Designated Passenger Seats (excluding Driver)	4			
Berths (sleeping positions)	6			
Overall Length (no ladder)	8.96m / 29'5"			
Overall Width (mirrors folded)	2.38m / 7'10"			
Overall Height	2.91cm / 9'6"			
Maximum Technical Permissible Laden Mass (A)	5000kg			
Mass in Running Order (B)	3942kg	3960kg	3942kg	3960kg
Maximum User Payload (A-B)	1058kg	1040kg	1058kg	1040kg
Unladen Weight	3777kg	3795kg	3777kg	3795kg
Essential Habitation Equipment	0kg			
Thermal Insulation Grade	THREE			
<b>Bed Sizes</b>				
Front Double	194cm x 150cm / 136cm / 6'4" x 4'11" / 4'6"			
Rear Double	203cm x 183cm / 6'8" x 6'0"			
Rear Nearside Single				
Rear Offside Single				
Drop Down Bed	189cm x 150cm / 6'2" x 4'11"			

**NOTE: 1. The Maximum User Payload** includes:

- the **conventional load** (this is the allowance for passengers)
- essential habitation equipment** (items and fluids required for safe and proper functioning of habitation equipment)
- optional equipment** (items available from the manufacturer over and above the standard specification)
- personal effects** (those items not covered by the above)

2. The **Mass in Running Order** is the mass of the unladen vehicle including a 75kg allowance for the driver plus engine coolants and 90% of the fuel tank and 1 x 6kg Calor Lite cylinder.

- The MRO is calculated with the fresh water tank empty. If you travel with water in the fresh water tank then the payload will reduce accordingly.
- PLEASE TAKE CARE TO ENSURE THAT YOU HAVE ALLOWED FOR THE MASSES OF ALL ITEMS YOU INTEND TO CARRY IN THE MOTOR CARAVAN, e.g. passengers, optional equipment, essential habitation equipment and personal effects, such as clothing, food, pets, bicycles, sailboards, s equipment etc.

5. **WARNING - UNDER NO CIRCUMSTANCES SHOULD THE MAXIMUM TECHNICAL PERMISSIBLE LADEN MASS OF THIS MOTOR CARAVAN BE EXCEEDED.**

Est = Estimated

# Dealer Special Editions based on Kon-Tiki

Model	Kon-Tiki 884			
<b>Dealer</b>				
Lowdhams	Kon-Tiki 884 Grand Prix			
Roof Profile	Low Line Pod			
Engine	160 MJT	160 MJT Auto	180 MJT	180 MJT Auto
Engine Capacity	2.2ltr			
Max Power	160 HP @ 3500rpm		180 HP @ 3500rpm	
Torque	380 Nm @ 1500rpm	400 Nm @ 1500rpm	380 Nm @ 1500rpm	450 Nm @ 1500rpm
Chassis	Fiat / AL-KO Chassis			
Wheel base	4.70m / 0.8m - 15'5" / 2'7"			
Designated Passenger Seats (excluding Driver)	3			
Berths (sleeping positions)	4			
Overall Length (no ladder)	8.96m / 29'5"			
Overall Width (mirrors folded)	2.38m / 7'10"			
Overall Height	2.92m / 9'7"			
Maximum Technical Permissible Laden Mass (A)	5000kg			
Mass in Running Order (B)	3885kg	3903kg	3885kg	3903kg
Maximum User Payload (A-B)	1115kg	1097kg	1115kg	1097kg
Unladen Weight	3720kg	3738kg	3720kg	3738kg
Essential Habitation Equipment	0kg			
Thermal Insulation Grade	THREE			
<b>Bed Sizes</b>				
Front Double	194cm x 186cm / 150cm / 6'4" x 6'1" / 4'11"			
Rear Double	206cm x 115cm / 6'9" x 3'9"			
Rear Nearside Single	195cm x 78cm / 6'5" x 2'7"			
Rear Offside Single	195cm x 78cm / 6'5" x 2'7"			
Drop Down Bed				

**NOTE: 1. The Maximum User Payload** includes:

- the **conventional load** (this is the allowance for passengers)
- essential habitation equipment** (items and fluids required for safe and proper functioning of habitation equipment)
- optional equipment** (items available from the manufacturer over and above the standard specification)
- personal effects** (those items not covered by the above)

2. The **Mass in Running Order** is the mass of the unladen vehicle including a 75kg allowance for the driver plus engine coolants and 90% of the fuel tank and 1 x 6kg Calor Lite cylinder.

- The MRO is calculated with the fresh water tank empty. If you travel with water in the fresh water tank then the payload will reduce accordingly.
- PLEASE TAKE CARE TO ENSURE THAT YOU HAVE ALLOWED FOR THE MASSES OF ALL ITEMS YOU INTEND TO CARRY IN THE MOTOR CARAVAN, e.g. passengers, optional equipment, essential habitation equipment and personal effects, such as clothing, food, pets, bicycles, sailboards, s equipment etc.

5. **WARNING** - UNDER NO CIRCUMSTANCES SHOULD THE MAXIMUM TECHNICAL PERMISSIBLE LADEN MASS OF THIS MOTOR CARAVAN BE EXCEEDED.

Est = Estimated

# Dealer Special Editions based on Kon-Tiki

Model	Kon-Tiki 894			
<b>Dealer</b>				
Lowdhams	Kon-Tiki 894 Grand Prix			
Roof Profile	Low Line Pod			
Engine	160 MJT	160 MJT Auto	180 MJT	180 MJT Auto
Engine Capacity	2.2ltr			
Max Power	160 HP @ 3500rpm		180 HP @ 3500rpm	
Torque	380 Nm @ 1500rpm	400 Nm @ 1500rpm	380 Nm @ 1500rpm	450 Nm @ 1500rpm
Chassis	Fiat / AL-KO Chassis			
Wheel base	4.70m / 0.8m - 15'5" / 2'7"			
Designated Passenger Seats (excluding Driver)	3			
Berths (sleeping positions)	4			
Overall Length (no ladder)	8.96m / 29'5"			
Overall Width (mirrors folded)	2.38m / 7'10"			
Overall Height	2.92m / 9'7"			
Maximum Technical Permissible Laden Mass (A)	5000kg			
Mass in Running Order (B)	3895kg	3913kg	3895kg	3913kg
Maximum User Payload (A-B)	1105kg	1087kg	1105kg	1087kg
Unladen Weight	3730kg	3748kg	3730kg	3748kg
Essential Habitation Equipment	0kg			
Thermal Insulation Grade	THREE			
<b>Bed Sizes</b>				
Front Double	194cm x 186cm / 150cm / 6'4" x 6'1" / 4'11"			
Rear Double	195cm x 143cm / 6'5" x 4'8"			
Rear Nearside Single				
Rear Offside Single				
Drop Down Bed				

**NOTE:** 1. **The Maximum User Payload** includes:

- the **conventional load** (this is the allowance for passengers)
- essential habitation equipment** (items and fluids required for safe and proper functioning of habitation equipment)
- optional equipment** (items available from the manufacturer over and above the standard specification)
- personal effects** (those items not covered by the above)

2. The **Mass in Running Order** is the mass of the unladen vehicle including a 75kg allowance for the driver plus engine coolants and 90% of the fuel tank and 1 x 6kg Calor Lite cylinder.

- The MRO is calculated with the fresh water tank empty. If you travel with water in the fresh water tank then the payload will reduce accordingly.
- PLEASE TAKE CARE TO ENSURE THAT YOU HAVE ALLOWED FOR THE MASSES OF ALL ITEMS YOU INTEND TO CARRY IN THE MOTOR CARAVAN, e.g. passengers, optional equipment, essential habitation equipment and personal effects, such as clothing, food, pets, bicycles, sailboards, s equipment etc.

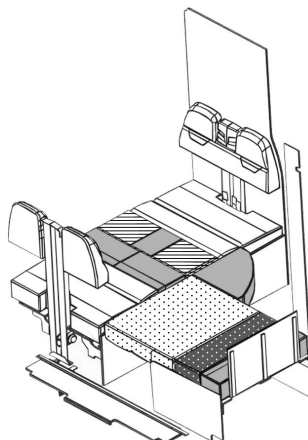
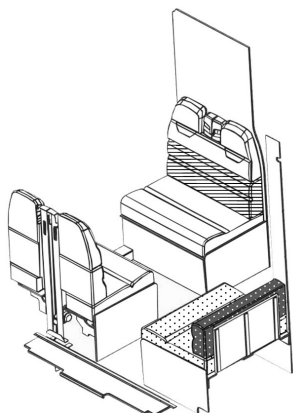
5. **WARNING** - UNDER NO CIRCUMSTANCES SHOULD THE MAXIMUM TECHNICAL PERMISSIBLE LADEN MASS OF THIS MOTOR CARAVAN BE EXCEEDED.

Est = Estimated

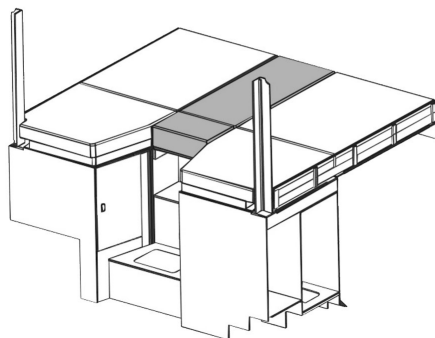
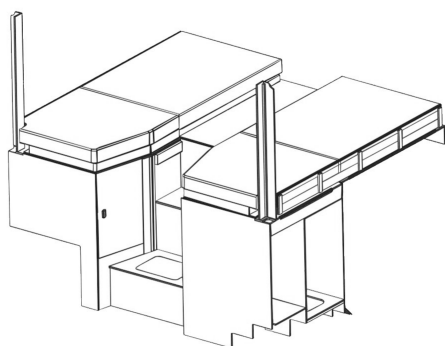


# Edge bed make up

## Bed make up in Edge 476 front bed

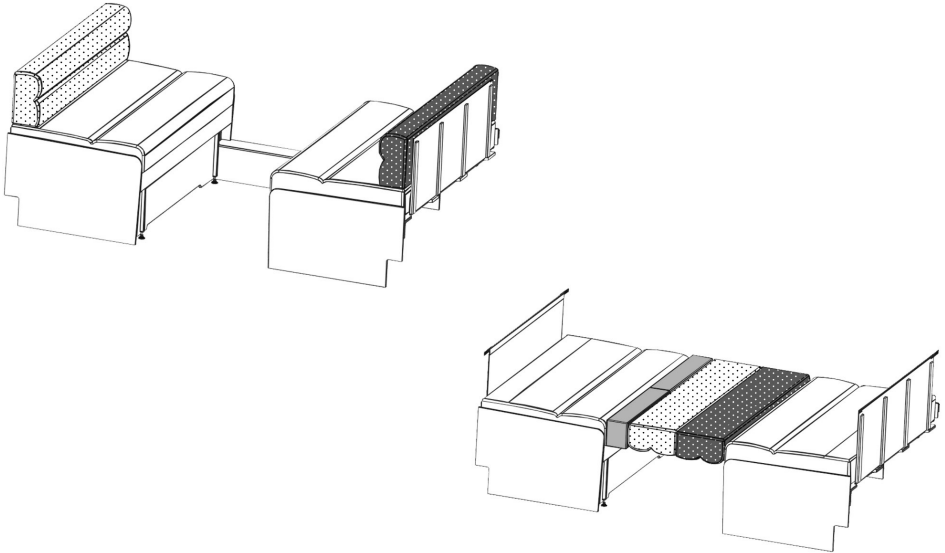


## Bed make up in Edge 476 rear bed

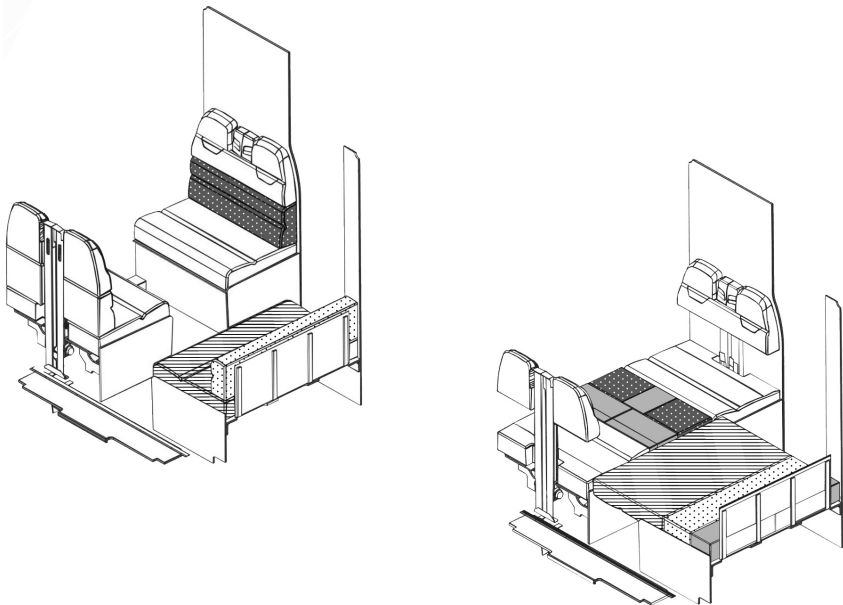


# Edge bed make up

## Bed make up in Edge 486 Rear bed



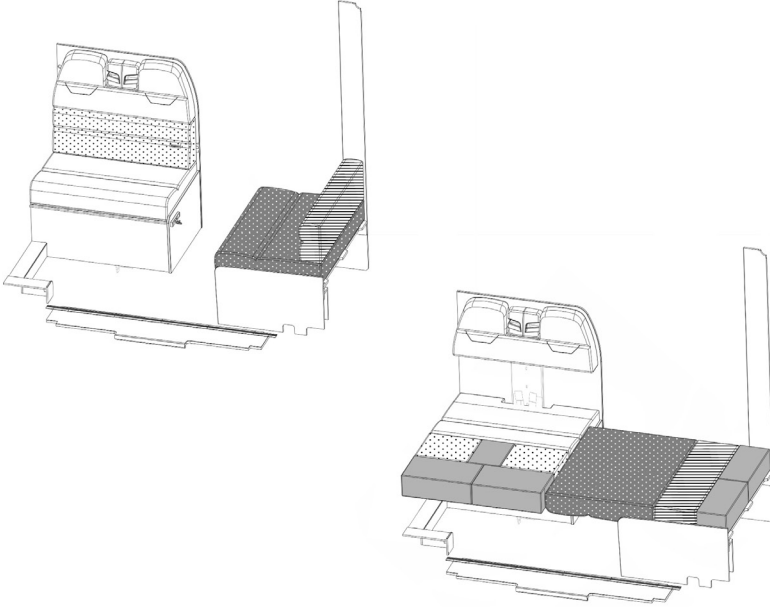
## Bed make up in Edge 466 & 486 front bed





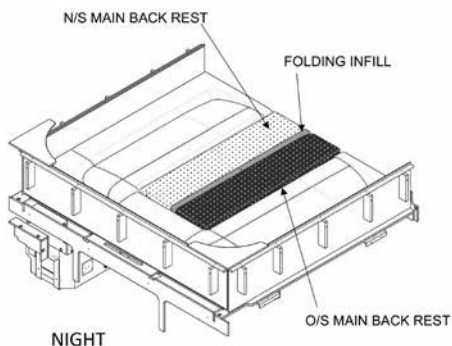
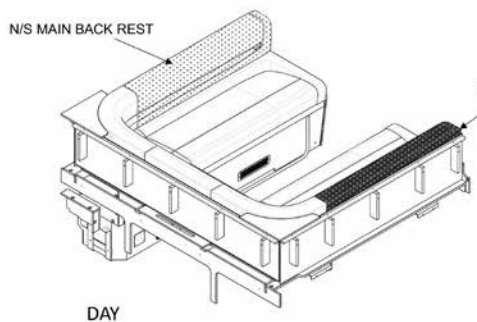
# Edge bed make up

## Bed make up in Edge 464 and 494 front bed



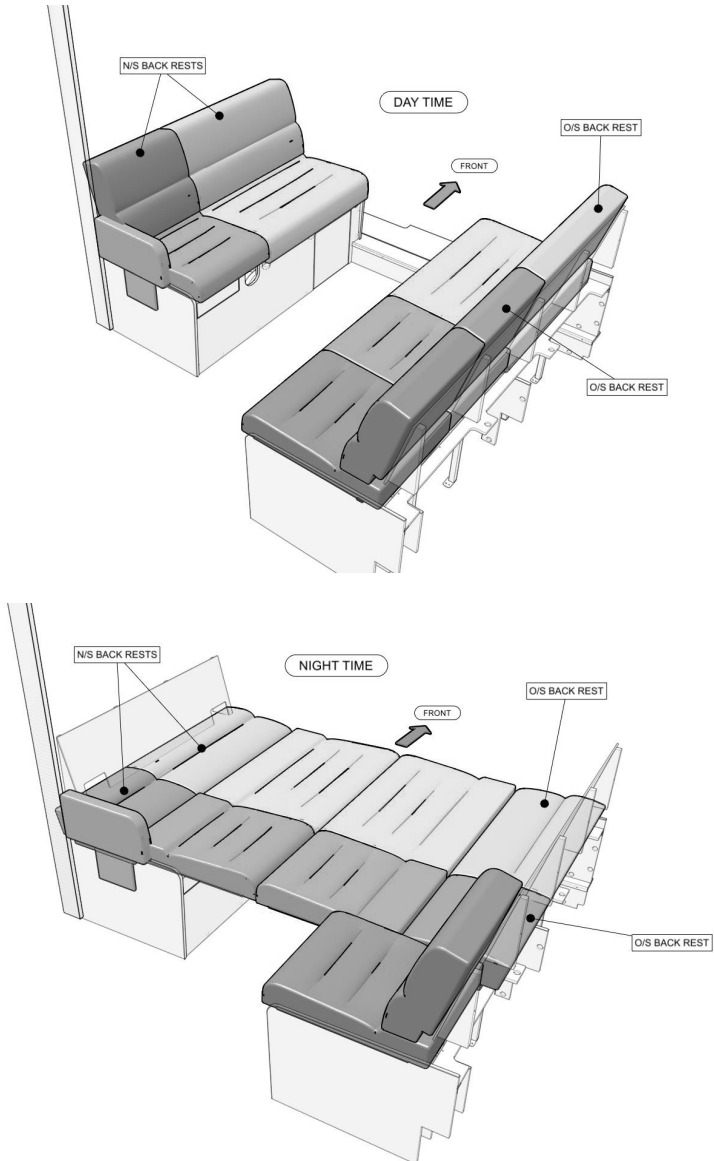
# Select Compact bed make up

## Bed make up in Select Compact C404 and C500 rear bed



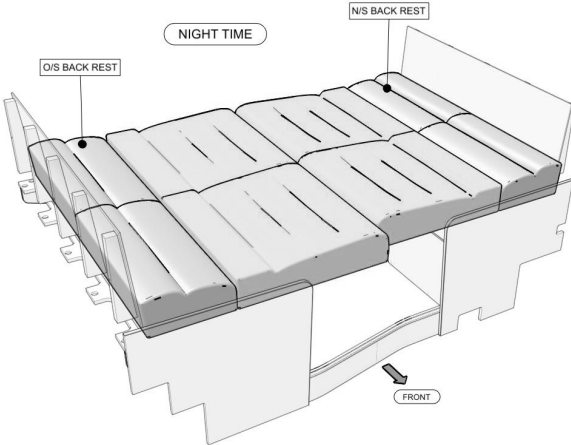
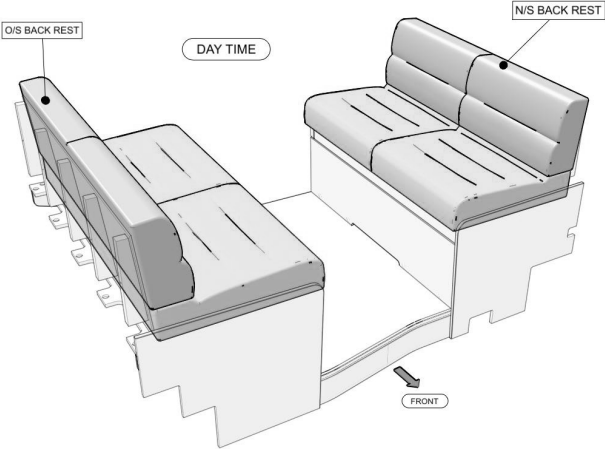
# Voyager, Escape and Kon-Tiki bed make up

## Bed make up in Escape 674 and Kon-Tiki 774 & 874 front bed



# Voyager, Escape and Kon-Tiki bed make up

## Bed make up in Escape 674 and Kon-Tiki 774 & 874 rear bed

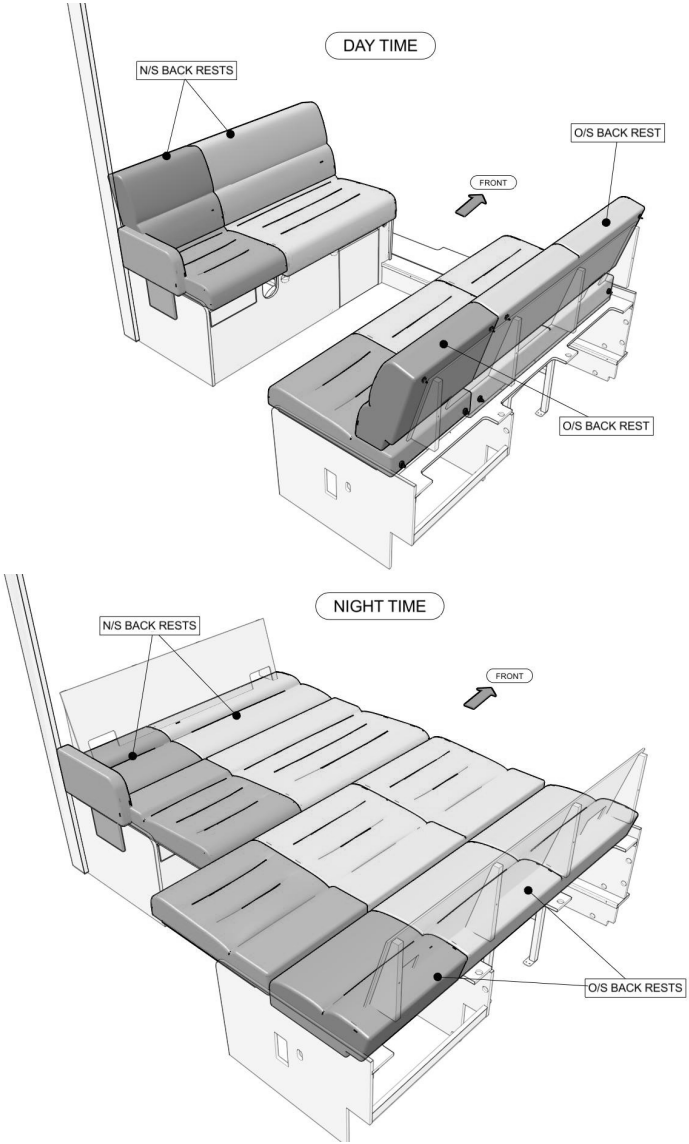


# Voyager, Escape and Kon-Tiki bed make up

**Bed make up in Escape 640, 664, 684 and 694 front bed**

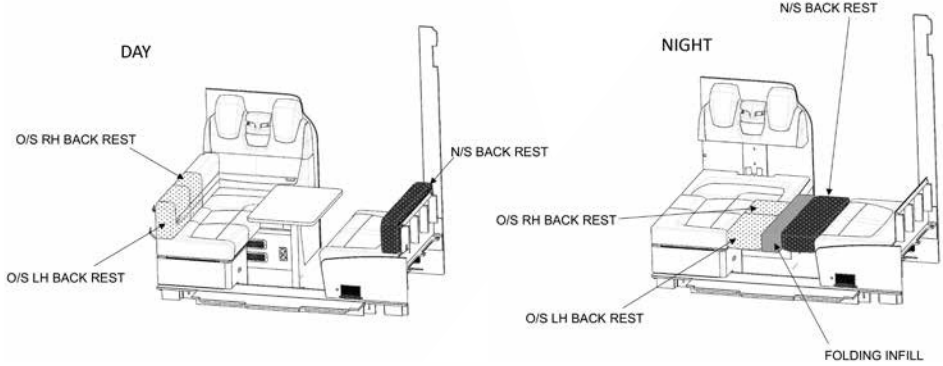
**Bed make up in Voyager 540, 594 & 594 front bed**

**Bed make up Kon-Tiki 764, 784, 794, 884 and 894 front bed**

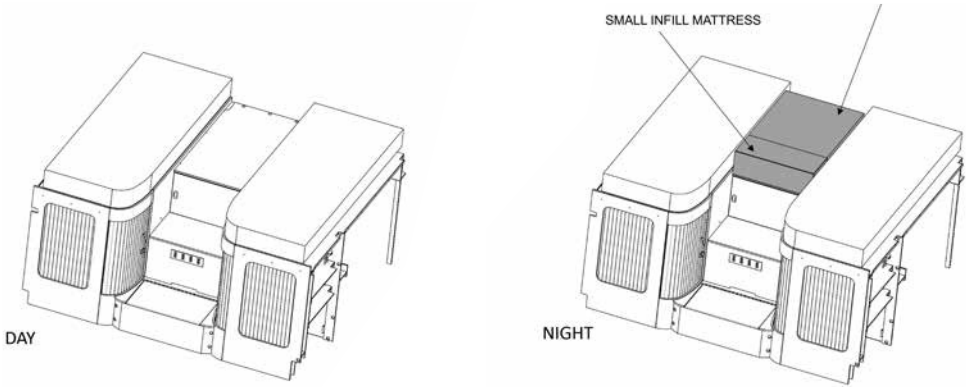


# Kon-Tiki bed make up

## Bed make up in Kon-Tiki 984 and 994 front bed



## Bed make up in Kon-Tiki 984 rear bed







***SWIFT***

## **SWIFT GROUP**

Dunswell Road

Cottingham

East Yorkshire

HU16 4JX

**Tel:** 01482 875740

**Fax:** 01482 840082

### **Customer Experience Team**

[enquiries@swiftleisure.co.uk](mailto:enquiries@swiftleisure.co.uk)

FIND OUT MORE AT **SWIFTGROUP.CO.UK**